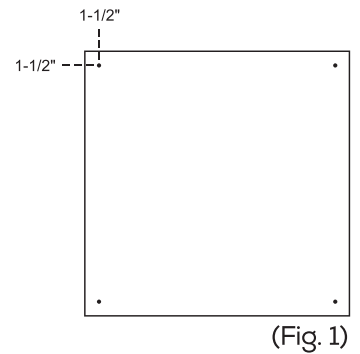
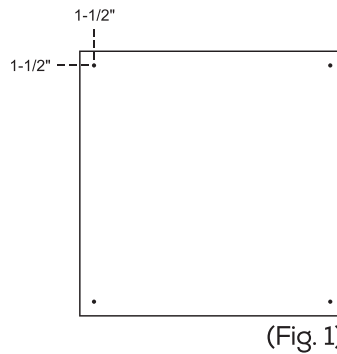




SPEAKER SPIKE INSTALLATION

INSIDE CABINET

OUTSIDE CABINET



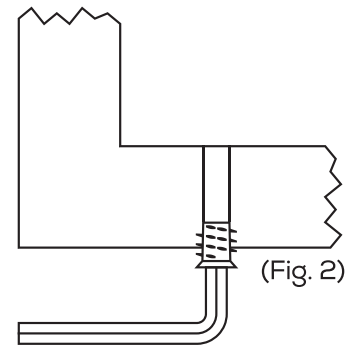
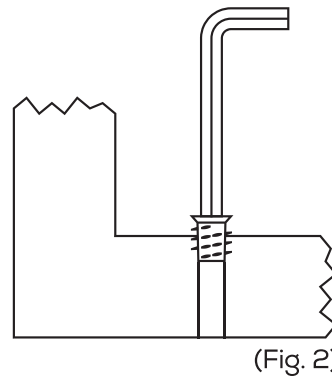
1. Drill four 5/16" diameter holes. Position the holes approximately 1-1/2" from the corners. (See fig. 1)

2. Install barbed inserts

NOTE: The barbed inserts can be installed from either the inside or outside of the cabinet.

A) Set barbed insert in the hole and finger tighten. Use a 6 mm hex wrench (not included) to tighten barbed insert until it is snug. (See fig. 2)

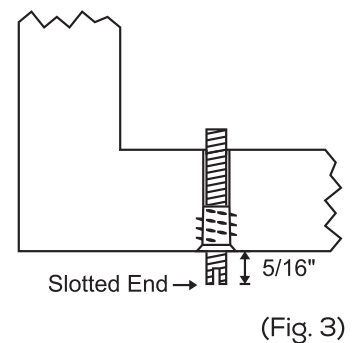
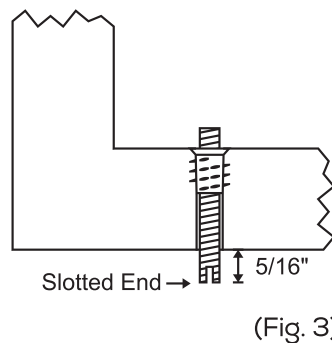
B) Repeat procedure for the other pre-drilled holes.



3. Install spikes

A) Thread the threaded stud into the hole, leaving approximately 5/16" protruding above the surface. (See fig. 3)

B) Remove the tip of the spike and hand tighten the cone foot on the threaded stud until it is snug against the bottom of the cabinet.



NOTE: If the threaded stud starts to turn with the foot, use a screwdriver (not included) to hold it in place while hand tightening the foot. (See fig. 4)

C) Re-install the tip on the cone foot and repeat this procedure for the other feet.

D) Squeeze a small amount of silicon sealant "RTV" into each hole to help provide a good seal after the spike is installed.

E) Repeat procedure for the other spikes.

