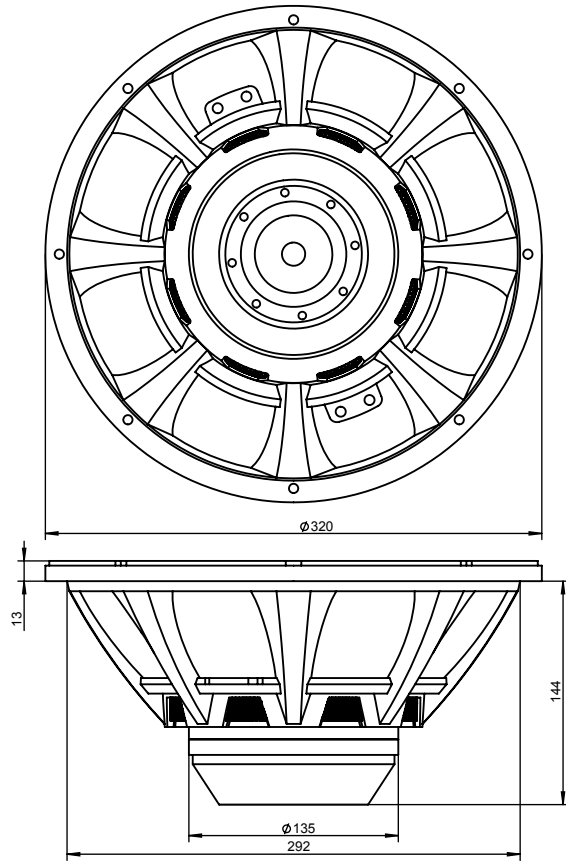




# Apollo 12N 12" Professional Neodymium Midbass Woofer 8 Ohm

## 12MB400N-8



### PARAMETERS

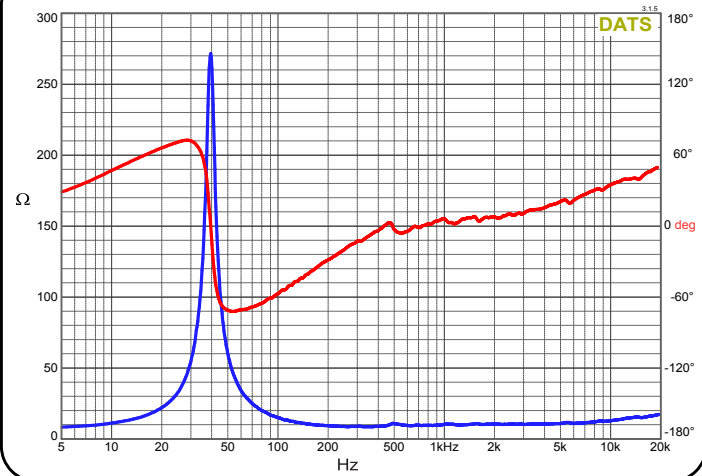
|                        |                        |
|------------------------|------------------------|
| Impedance              | 8 ohms                 |
| Re                     | 7.5 ohms               |
| Le                     | 1.21 mH @ 1kHz         |
| Fs                     | 38 Hz                  |
| Qms                    | 7.75                   |
| Qes                    | 0.27                   |
| Qts                    | 0.26                   |
| Mms                    | 54.46 g                |
| Cms                    | 0.323 mm/N             |
| Sd                     | 494.56 cm <sup>2</sup> |
| Vd                     | 333.2 cm <sup>3</sup>  |
| BL                     | 19.19 Tm               |
| Vas                    | 128.1 liters           |
| Xmax                   | 6.75 mm*               |
| Magnetic Gap Height    | 8 mm                   |
| VC Diameter            | 3"                     |
| VC Winding Height      | 16 mm                  |
| SPL                    | 96.6 dB @ 2.83V/1m     |
| RMS Power Handling     | 400 watts              |
| Usable Frequency Range | 40Hz-5.6kHz            |

\* Klippel verified

### FEATURES

- Powerful neodymium motor for superior output
- Copper inductance cap for low distortion
- Paper cone and cloth m-roll surround for high clarity, smooth response, and linear excursion for pounds of punch
- 3" Inside/outside wound copper voice coil on fiberglass former lends solid power handling capability
- Under spider and rear periphery venting allow for a cooler running voice coil
- Low Qts means high damping and smaller boxes

### IMPEDANCE/PHASE



### FREQUENCY RESPONSE

