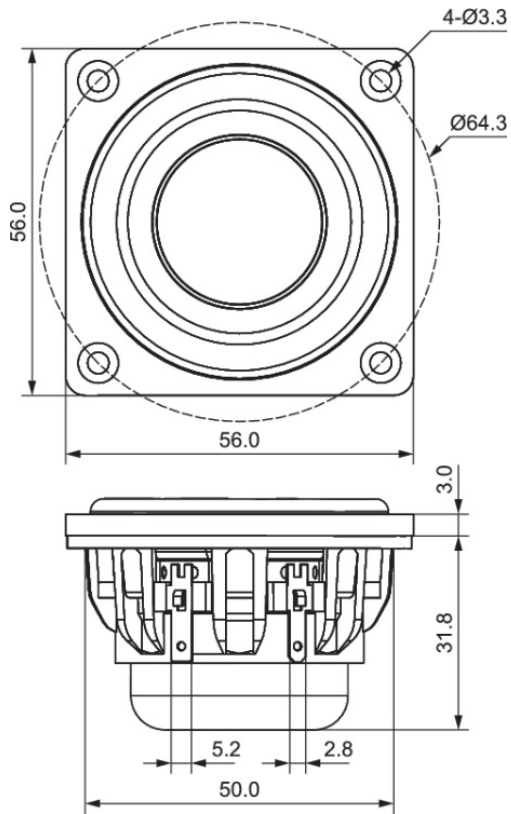




DMA58-8 2" Dual Magnet Aluminum Cone Full-Range Driver 8 Ohm



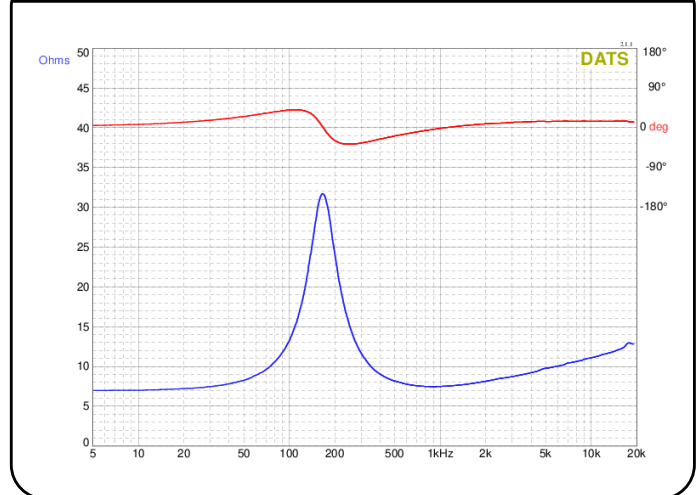
PARAMETERS

Impedance	8 ohms
Re	7.0 ohms
Le	0.4 mH @ 1 kHz
Fs	166.2 Hz
Qms	2.45
Qes	0.69
Qts	0.54
Mms	2.0g
Cms	0.46 mm/N
Sd	14.5 cm ²
Vd	2.9 cm ³
BL	4.9 Tm
Vas	0.150 liters
Xmax	2.0 mm
VC Diameter	25 mm
SPL	82.5 dB @ 2.83V/1m
RMS Power Handling	15 watts
Usable Frequency Range (Hz)	160-20,000 Hz

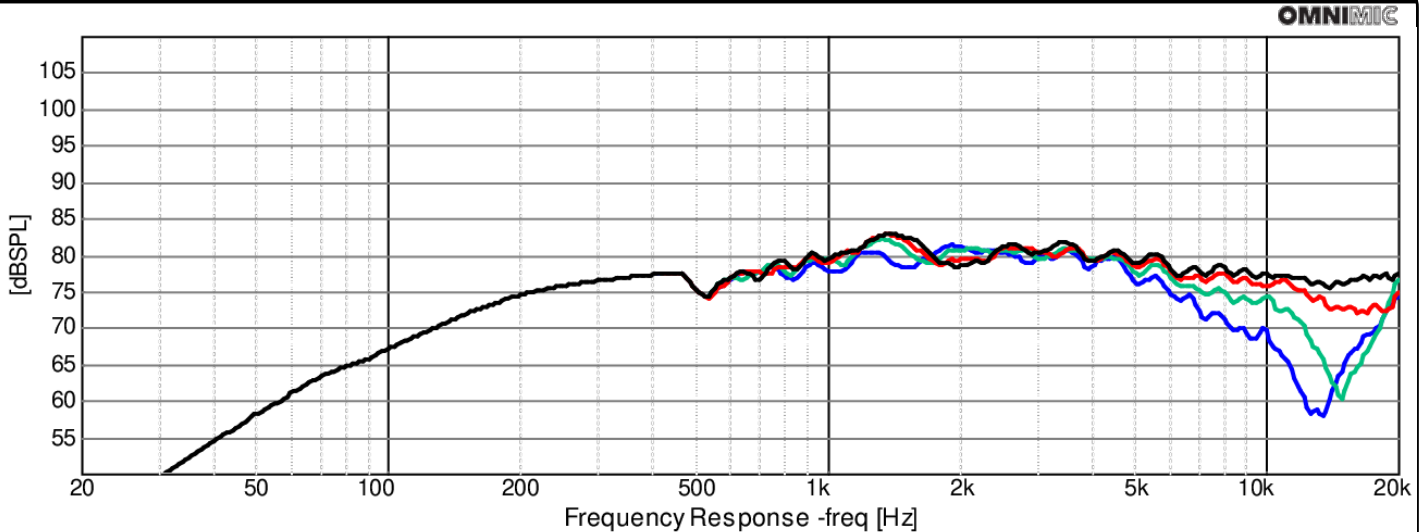
FEATURES

- Excellent high frequency response for true full-range applications
- Dual neodymium motor to create a symmetrical magnetic field for superb control
- Large copper cap lowers distortion while improving high frequency response
- Vented aluminum voice coil former with exceptional heat dissipation for high power handling
- Exclusive 8-spoke open frame design provides extensive venting and minimal reflection
- DIY friendly, oversized mounting flange makes installation simple
- Matching tunable passive radiators also available!

IMPEDANCE/PHASE



FREQUENCY RESPONSE



OmniMic

Note: 1/24th octave smoothing - nearfield response included in graph below 450 Hz

Black = 0°
Red = 15°
Green = 30°
Blue = 45°