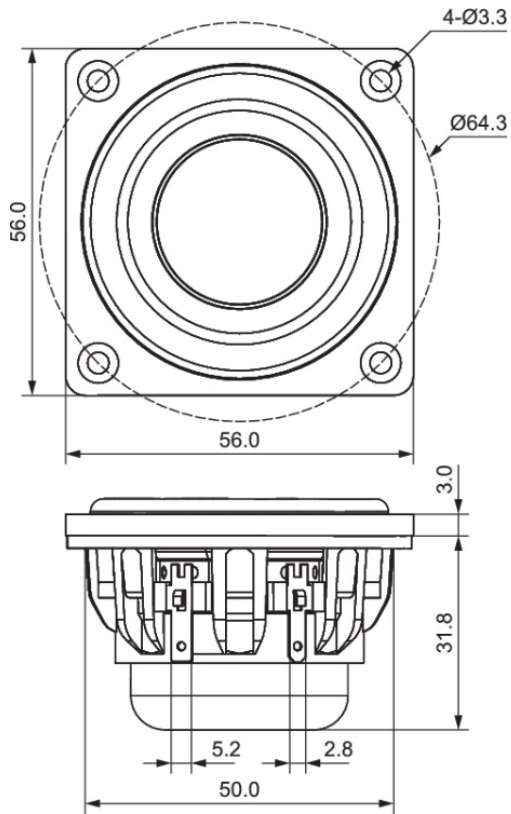




DMA58-4 2" Dual Magnet Aluminum Cone Full-Range Driver 4 Ohm



PARAMETERS	
Impedance	4 ohms
Re	3.6 ohms
Le	0.2 mH @ 1 kHz
Fs	165.5 Hz
Qms	2.4
Qes	0.56
Qts	0.46
Mms	2.1 g
Cms	0.45 mm/N
Sd	14.5 cm ²
Vd	2.9 cm ³
BL	3.7 Tm
Vas	0.005 ft ³
Xmax	2.0 mm
VC Diameter	1"
SPL	86.2 dB @ 2.83V/1m
RMS Power Handling	15 watts
Usable Frequency Range (Hz)	160-20,000 Hz

- ### FEATURES
- Excellent high frequency response for true full-range applications
 - Dual neodymium motor to create a symmetrical magnetic field for superb control
 - Large copper cap lowers distortion while improving high frequency response
 - Vented aluminum voice coil former with exceptional heat dissipation for high power handling
 - Exclusive 8-spoke open frame design provides extensive venting and minimal reflection
 - DIY friendly, oversized mounting flange makes installation simple
 - Matching tunable passive radiators also available!

