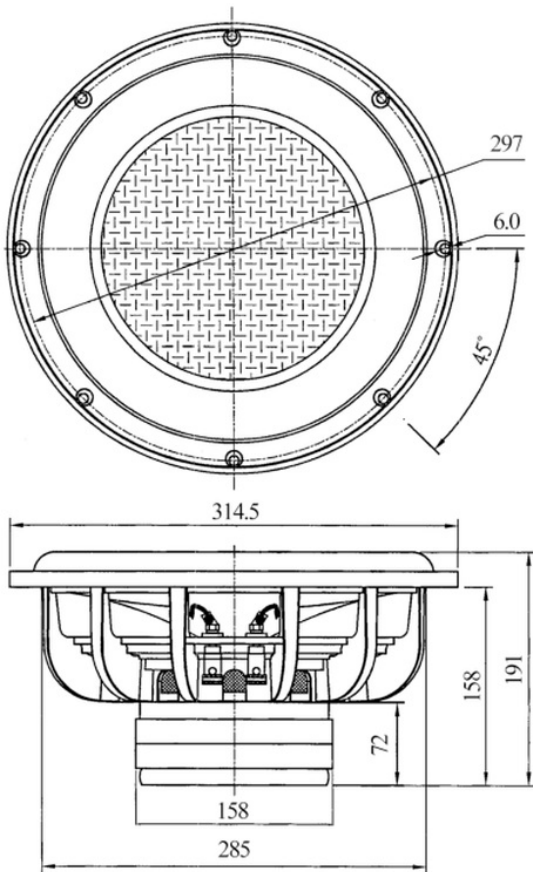




# UM12-22 12" Ultimax DVC Subwoofer 2 ohm Per Coil

UM12-22



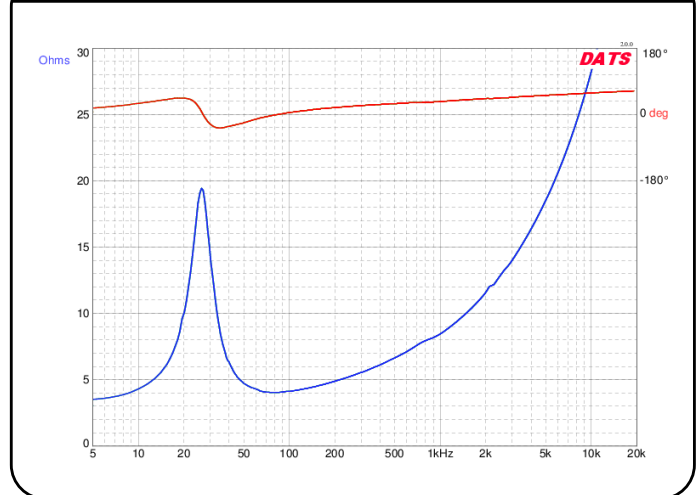
## PARAMETERS

Impedance	2+2 ohms
Re	3.2 ohms
Le	1.25 mH @ 1kHz
Fs	26.2 Hz
Qms	3.62
Qes	0.71
Qts	0.59
Mms	270g
Cms	0.14 mm/N
Sd	490.9 cm <sup>2</sup>
Vd	932.7 cm <sup>3</sup>
BL	14.2 Tm
Vas	46.8 liters
Xmax	19 mm
VC Diameter	63.5 mm
SPL	86.7 dB @ 2.83V/1m
RMS Power Handling	600 watts
Usable Frequency Range (Hz)	20 - 1,000 Hz

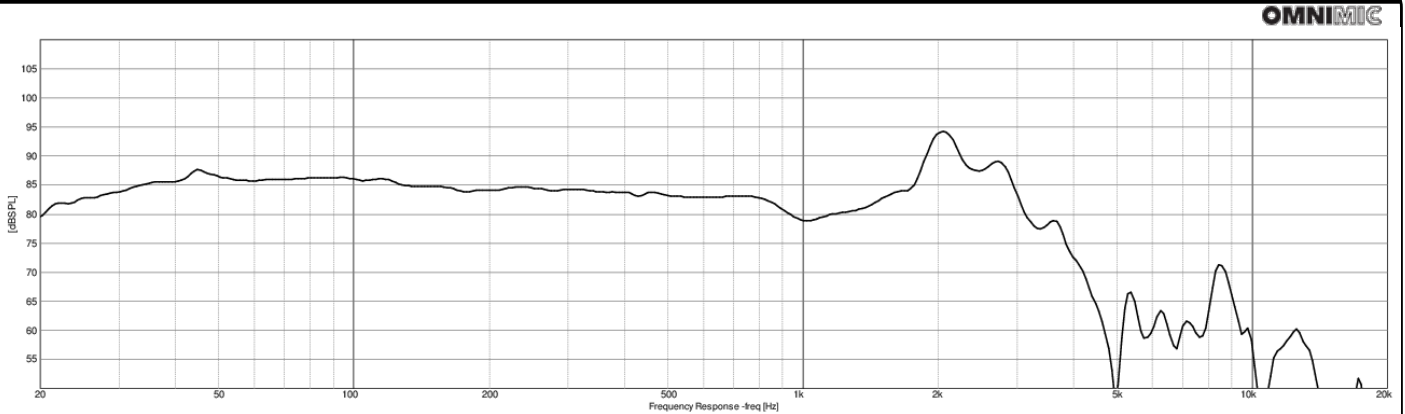
## FEATURES

- Thick, one-piece Nomex honeycomb covered cone with woven heavy-duty glass-fiber
- Tall-boy rubber surround for extra-long linear excursion without reducing cone surface area
- 600 watts RMS power handling
- Copper shorting rings and cap reduce distortion due to inductance variations
- Dual 2 ohm, 2-layer copper voice coils

## IMPEDANCE/PHASE



## FREQUENCY RESPONSE



Note: 124<sup>th</sup> octave smoothing - nearfield response included in graph below 450 Hz.

Black = 0°

Note: All parameters derived with voice coils wired in series