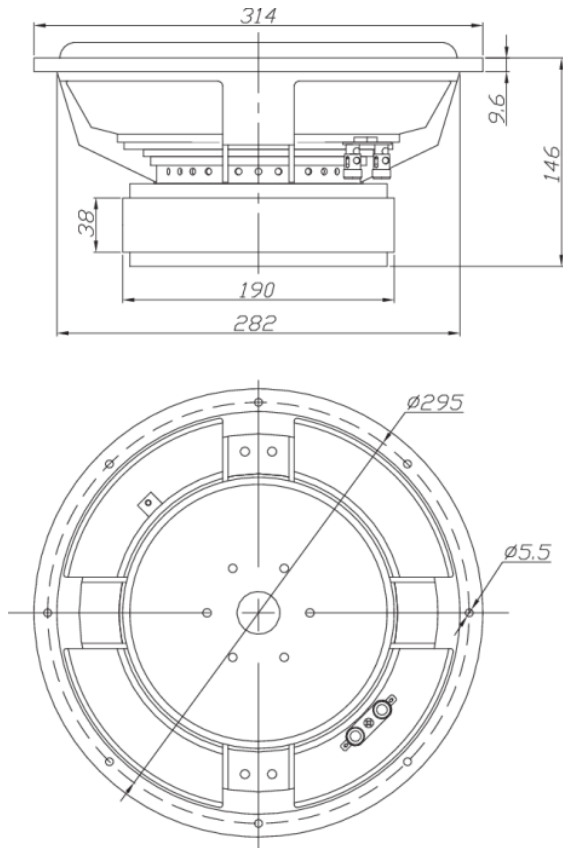




RSS315HFA-8 12" Reference HF Subwoofer 8 Ohm

RSS315HFA-8



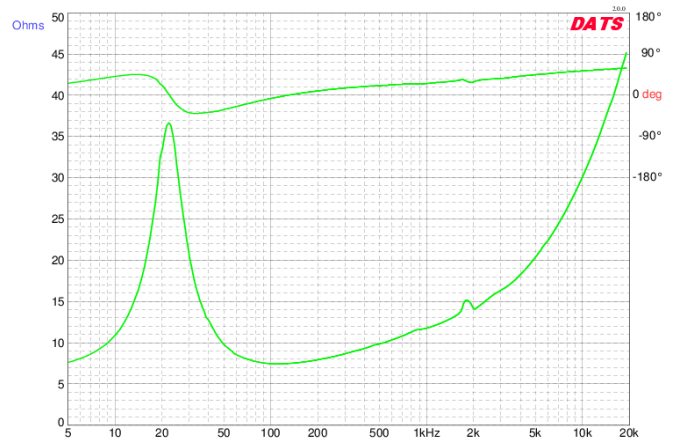
PARAMETERS

Impedance	8 ohms
Re	6.5 ohms
Le	1.56 mH @ 1 kHz
Fs	22.2 Hz
Qms	2.50
Qes	0.54
Qts	0.45
Mms	194g
Cms	0.27 mm/N
Sd	506.7 cm ²
Vd	724.6 cm ³
BL	18 Tm
Vas	97.2 liters
Xmax	14.3 mm
VC Diameter	65.5 mm
SPL	85.7 dB @ 2.83V/1m
RMS Power Handling	400 watts
Usable Frequency Range (Hz)	25 - 1,500 Hz

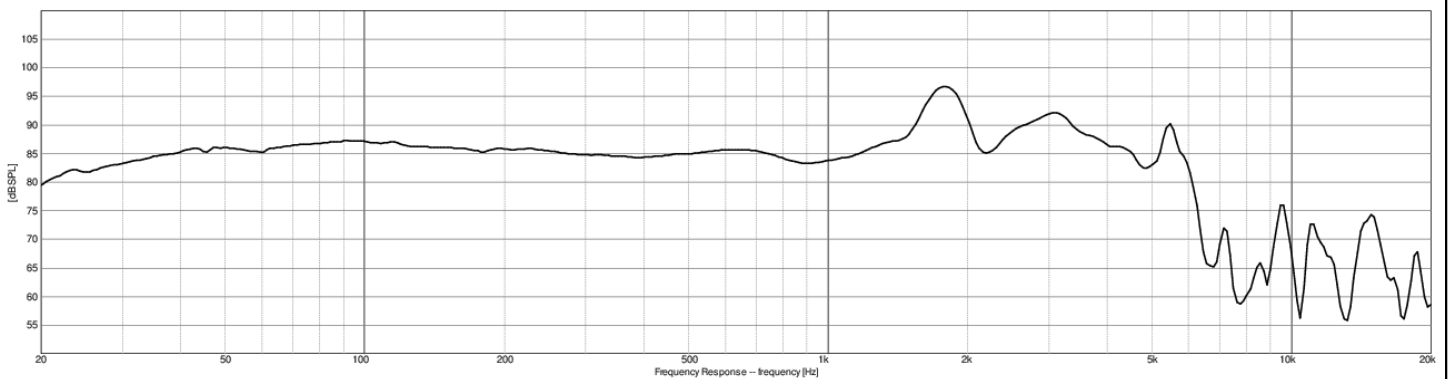
FEATURES

- Extensively vented motor eliminates power compression and allows quiet excursion
- Lighter-weight black anodized aluminum cone minimizes moving mass
- 2-layer coil for reduced back EMF
- Triple shorting-ring motor for ultra-low distortion
- Optimized for large enclosures

IMPEDANCE/PHASE



FREQUENCY RESPONSE



Note: 1/24th octave smoothing - nearfield response included in graph below 450 Hz.

Black = 0°