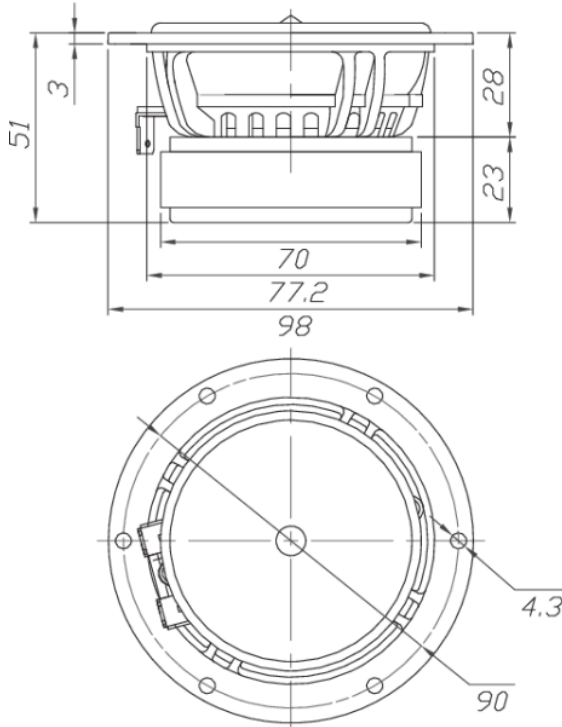




# RS100-4 4" Reference Full-Range Driver 4 Ohm

RS100-4



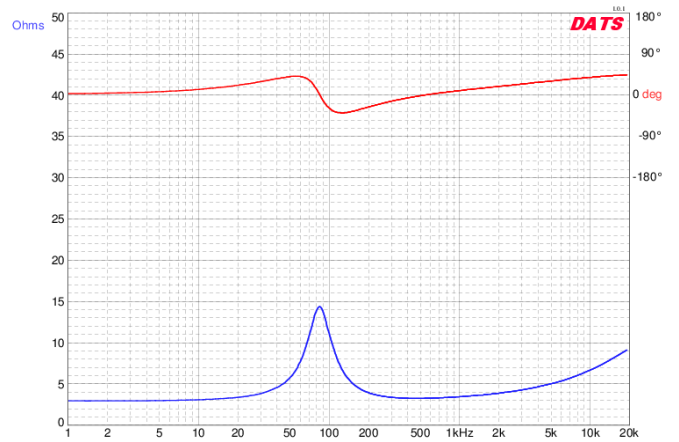
## PARAMETERS

Impedance	4 ohms
Re	3 ohms
Le	0.28 mH @ 1 kHz
Fs	84.8 Hz
Qms	2.55
Qes	0.66
Qts	0.53
Mms	4.3g
Cms	0.83 mm/N
Sd	35.3 cm <sup>2</sup>
Vd	14.1 cm <sup>3</sup>
BL	3.18 Tm
Vas	1.45 liters
Xmax	4.0 mm
VC Diameter	25 mm
SPL	87.5 dB @ 2.83V/1m
RMS Power Handling	30 watts
Usable Frequency Range (Hz)	80 - 20,000 Hz

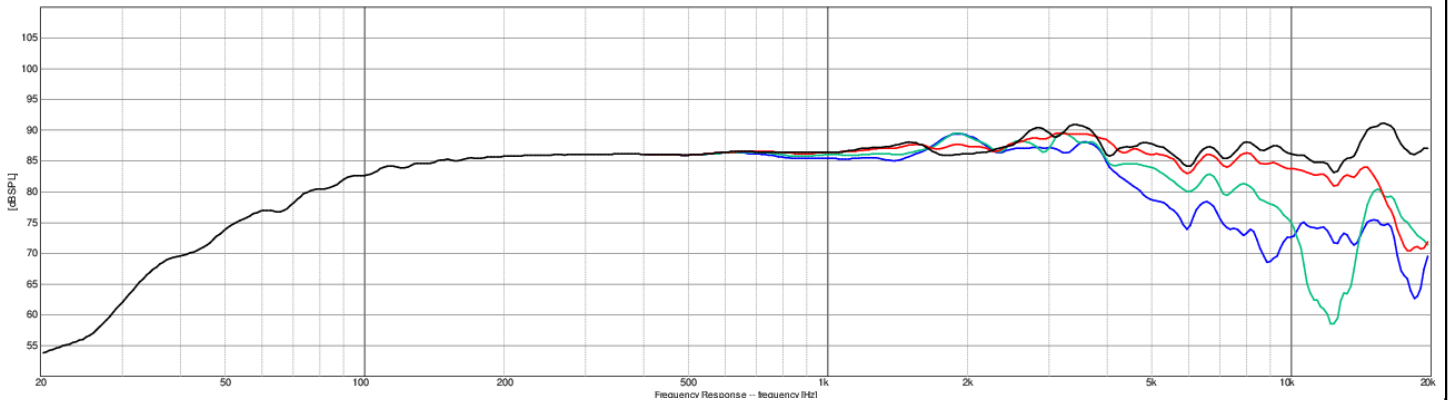
## FEATURES

- Full-range capability
- Long-excursion motor and suspension for strong bass performance
- Subtle yet high-tech look makes a bold cosmetic statement
- Designed and engineered in the USA
- Great replacement for the Dayton RS100S-8 4" Reference Shielded Full-Range Driver

## IMPEDANCE/PHASE



## FREQUENCY RESPONSE



**Note:** 1/24<sup>th</sup> octave smoothing - nearfield response included in graph below 450 Hz.

Black = 0°  
Red = 15°  
Green = 30°  
Blue = 45°