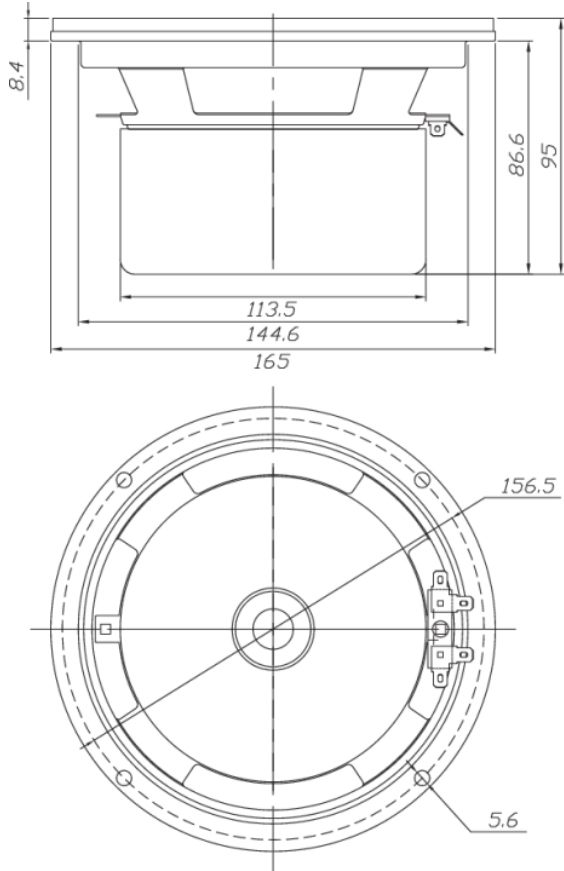




DC160S-4 6-1/2" Classic Shielded Woofer 4 Ohm

DC160S-4



FEATURES

- Treated paper cone provides smooth response and low energy storage
- Aluminum former, vented pole piece, and porous dustcap for high power handling
- Large diameter flat spider and good Xmax for clean bass

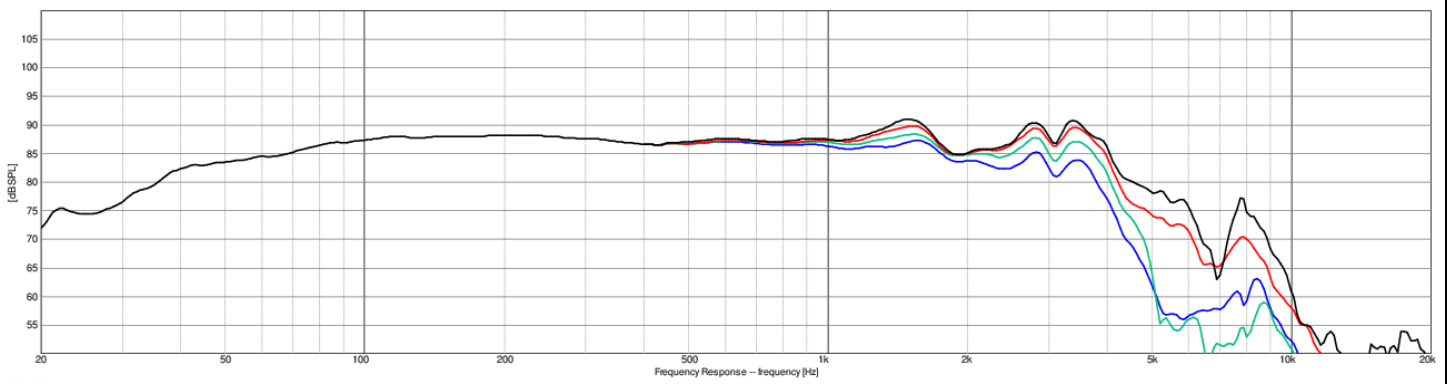
PARAMETERS

Impedance	4 ohms
Re	3.5 ohms
Le	0.89 mH @ 1 kHz
Fs	30.9 Hz
Qms	2.61
Qes	0.34
Qts	0.30
Mms	30g
Cms	0.88 mm/N
Sd	136.8 cm ²
Vd	46.5 cm ³
BL	7.68 Tm
Vas	23.2 liters
Xmax	3.4 mm
VC Diameter	35 mm
SPL	88.5 dB @ 2.83V/1m
RMS Power Handling	50 watts
Usable Frequency Range (Hz)	33 - 4,000 Hz

IMPEDANCE/PHASE



FREQUENCY RESPONSE



Note: 1/12th octave smoothing - nearfield response included in graph below 450 Hz.

Black = 0°
Red = 15°
Green = 30°
Blue = 45°