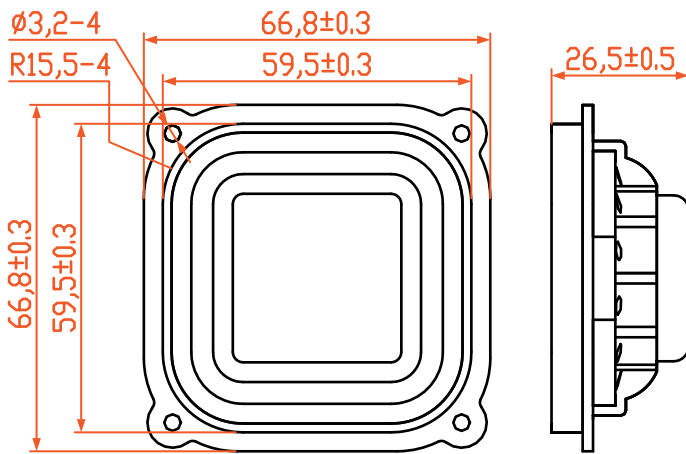




## DML25-4

Distributed Mode Loudspeaker 25mm x 25mm 20W 4 Ohm



Note: All dimensions in mm.

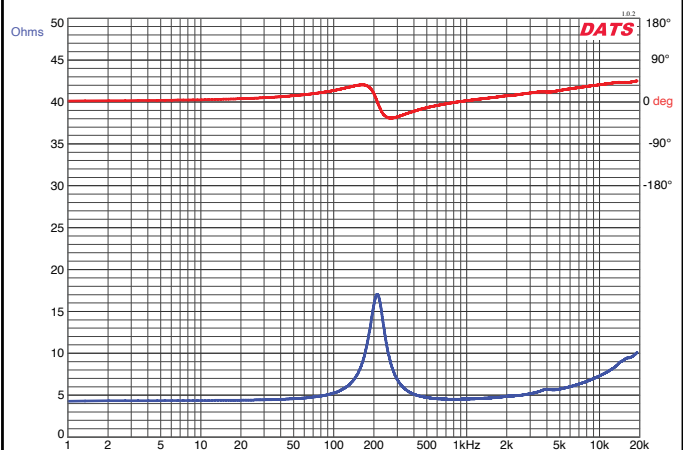
### FEATURES

- Unique, square-shaped form for tight driver-to-driver placement
- Extended frequency response up to 15,000 Hz due to low inductance motor
- Wide off-axis dispersion for placement flexibility
- Perfect for modern audio applications such as speaker bars and line arrays

### PARAMETERS

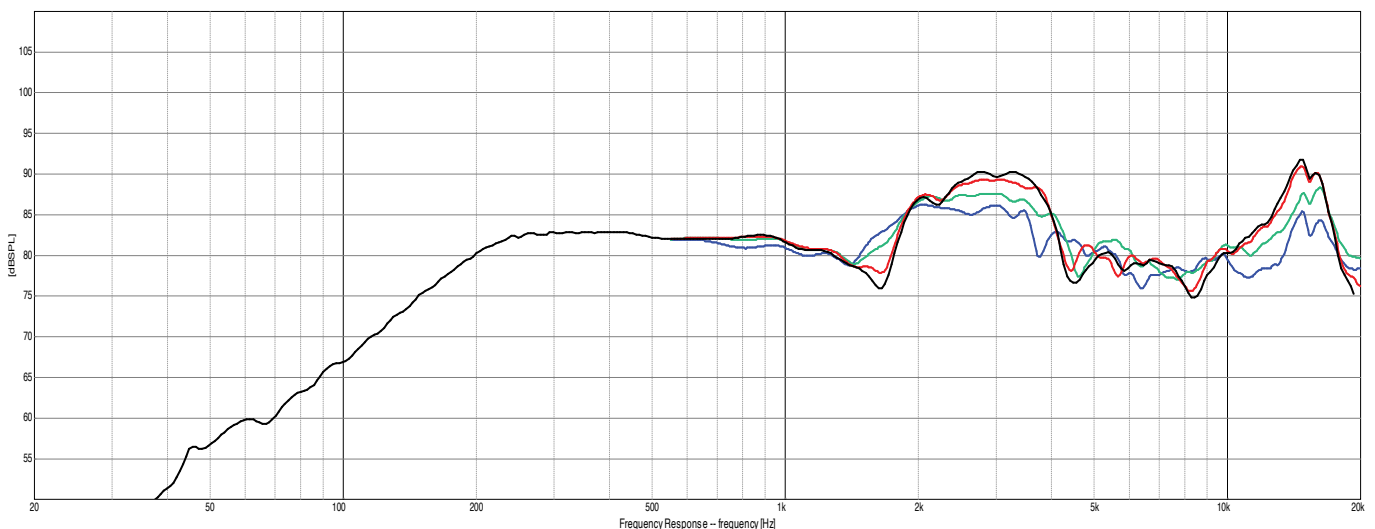
Impedance	4 ohms
Re	4.3 ohms
Le (@ 1 kHz)	0.09 mH
Fs	212 Hz
Qms	3.83
Qes	1.50
Qts	1.1
Mms	3.70 g
Cms	0.15 mm/N
Sd	4.64 cm <sup>2</sup>
Vd	0.7 cm <sup>3</sup>
BL	3.86 Tm
Vas	0.005 liters
Xmax	1.5 mm
VC Diameter	25 mm
SPL	82.1 dB @ 2.83V/1m
RMS Power Handling	20 watts
Usable Frequency Range (Hz)	150 - 15,000 Hz

### IMPEDANCE/PHASE



### FREQUENCY RESPONSE

OMNIMIC



Note: Nearfield response included in graph below 400 Hz.

Black = 0°  
Red = 15°  
Green = 30°  
Blue = 45°