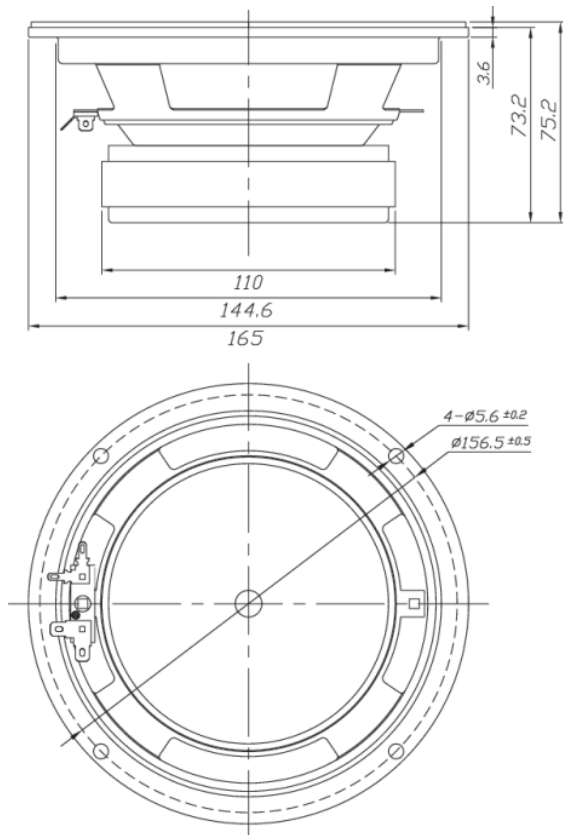




PK165-8 6" Professional Kevlar/Paper Cone Midrange 8 Ohm

PK165-8



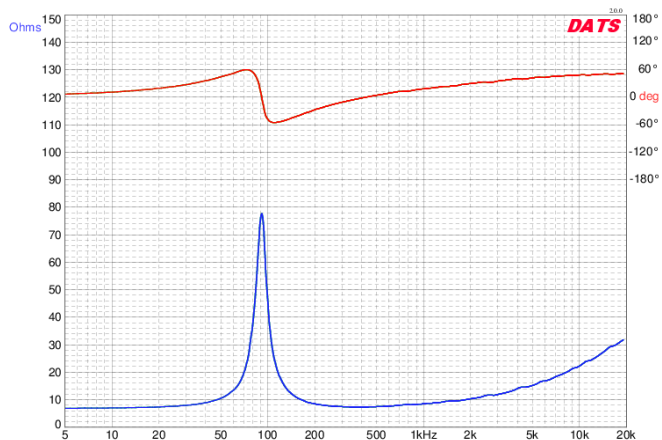
PARAMETERS

Impedance	8 ohms
Re	6.8 ohms
Le	0.81 mH
Fs	91.5 Hz
Qms	7.93
Qes	0.77
Qts	0.70
Mms	10g
Cms	0.3 mm/N
Sd	113.1 cm ²
Vd	17.0 cm ³
BL	7.18 Tm
Vas	7.69 liters
Xmax	1.5 mm
VC Diameter	38 mm
SPL	91.4 dB @ 2.83V/1m
RMS Power Handling	100 watts
Usable Frequency Range (Hz)	95 - 9,000 Hz

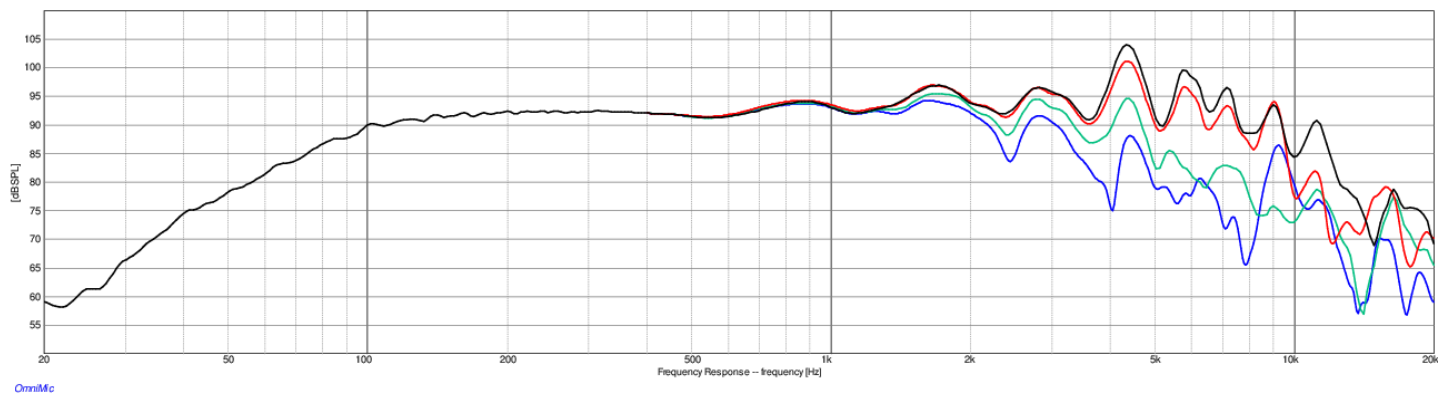
FEATURES

- High output, low distortion
- Extended frequency response
- Kevlar-impregnated paper cone
- Vented pole piece
- 1-1/2" aluminum voice coil

IMPEDANCE/PHASE



FREQUENCY RESPONSE



Note: 1/24th octave smoothing - nearfield response included in graph below 450 Hz.

Black = 0°
Red = 15°
Green = 30°
Blue = 45°