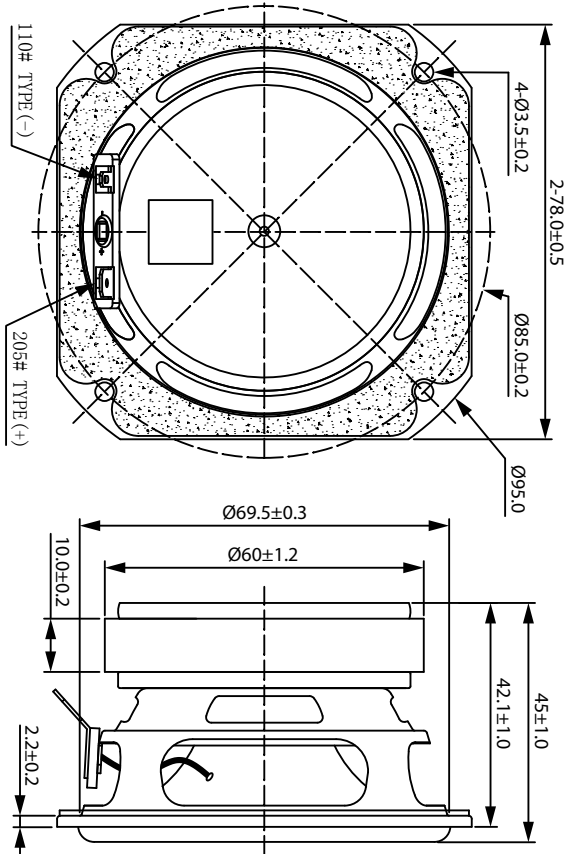




3" Full Range 10W 4 ohm

CE78PF-4



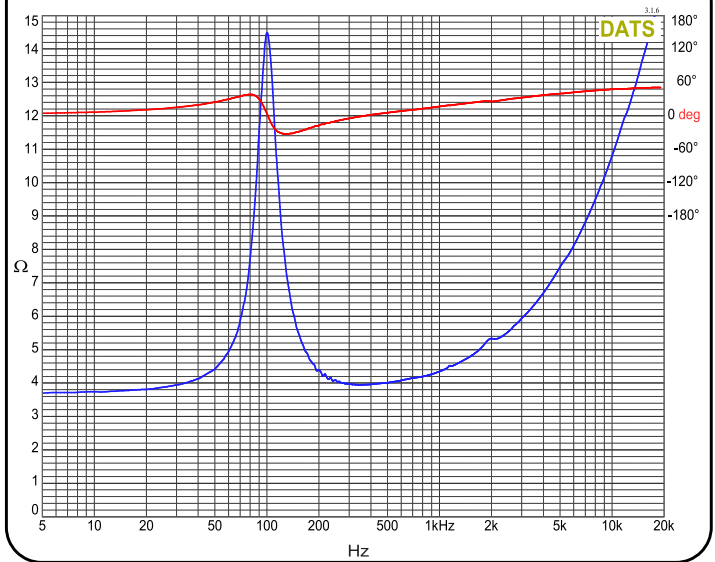
PARAMETERS

Impedance	4 ohms
Re	3.7 ohms
Le	0.17 mH @ 1kHz
Fs	100 Hz
Qms	3.9
Qes	1.34
Qts	0.99
Mms	2.8 g
Cms	0.887 mm/N
Sd	30.2 cm ²
Vd	4.2 cm ³
BL	2.22 Tm
Vas	1.14 liters
Xmax	1.4 mm
VC Diameter	20 mm
SPL	85 dB @ 2.83V/1m
RMS Power Handling (AES 426B)	10 watts
Usable Frequency Range (Hz)	200 - 18,000 Hz

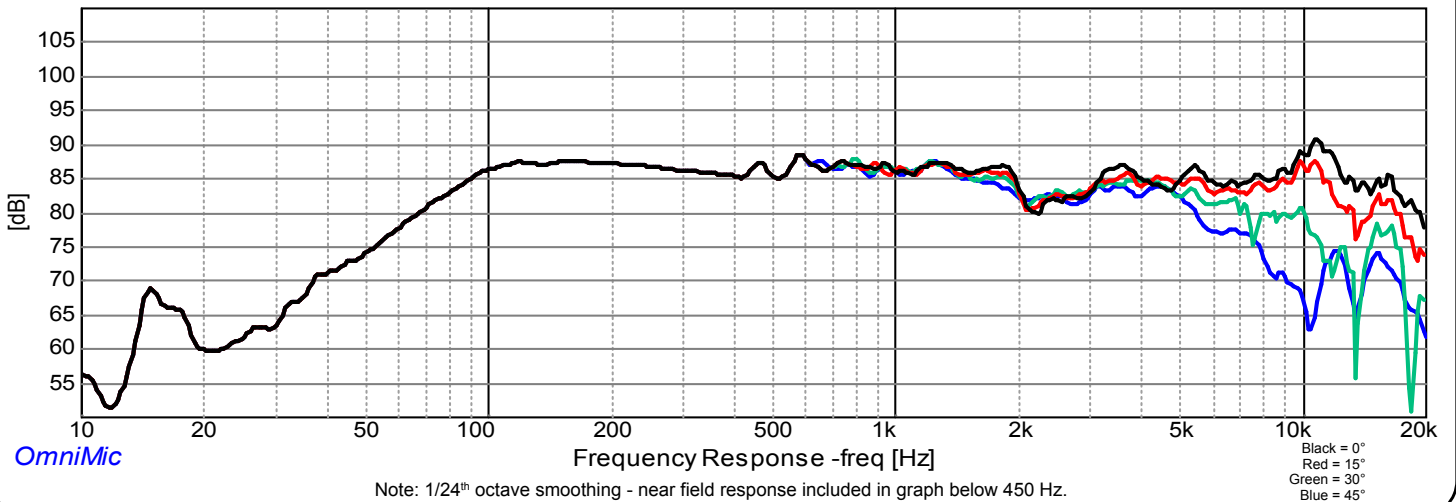
FEATURES

- High economic value
- Delivers crisp, clear audio, ensuring an immersive listening experience
- High-quality audio solutions without breaking the bank, ideal for budget-conscious projects
- Suitable for commercial installations, DIY projects, art exhibits, and more

IMPEDANCE/PHASE



FREQUENCY RESPONSE



OmniMic