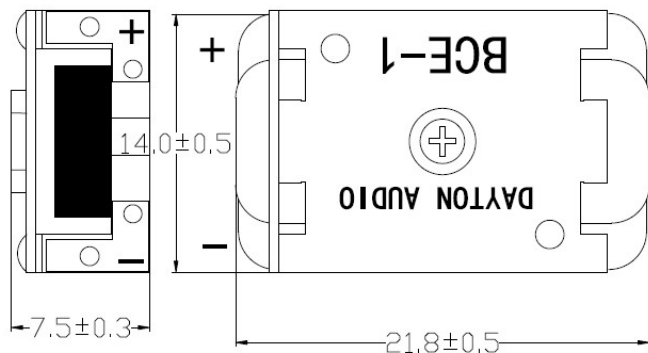
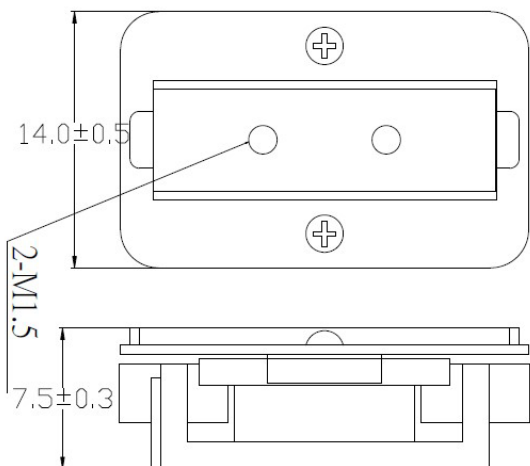




BCE-1 22 x 14mm Bone Conducting Exciter

BCE-1



FEATURES

- Creates sound using bone conduction
- Leaves ears free for increased listener safety
- Can be used as a mini tactile transducer when attached to substrates
- Wide 300 to 19,000 Hz frequency response
- 4 ohm impedance with 1W power handling

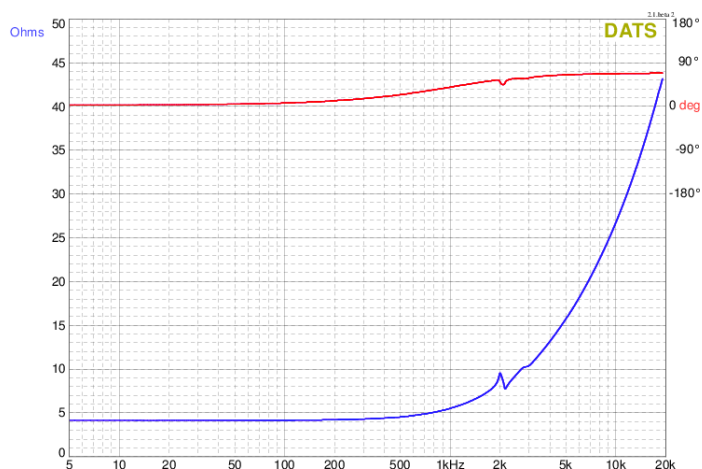
APPLICATIONS

- Invisible home theater and multi-room audio
- Electronic gaming machines
- Advertising signage
- Point-of-purchase displays
- Multimedia exhibits
- Commercial distributed audio
- Kiosks
- Automotive audio
- Bathroom tubs and showers

PARAMETERS

Impedance	4 ohms
Re	4.0 ohms
Le	0.56 mH @10k Hz
Fs	2,100 Hz
Qms	N/A
Qes	N/A
Qts	N/A
Mms	N/A
Cms	N/A
Sd	N/A
Vd	N/A
BL	N/A
Vas	N/A
Xmax	N/A
VC Diameter	N/A
SPL	N/A
RMS Power Handling	1 watts
Usable Frequency Range (Hz)	N/A

IMPEDANCE/PHASE



Measurement taken with transducer uncoupled facing upward.