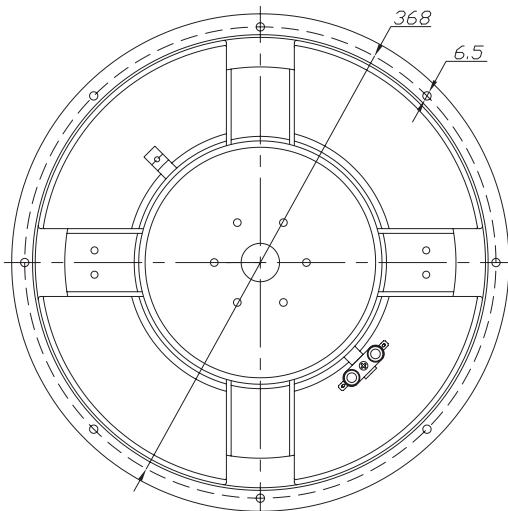
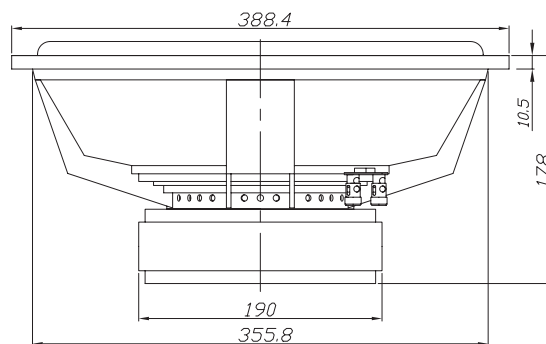


**Features**

- Heavy gauge black anodized aluminum cone
- 2-1/2" 4-layer voice coil
- Fully vented construction
- Triple-shorting-ring motor
- Rigid cast frame
- Rubber surround
- High power handling

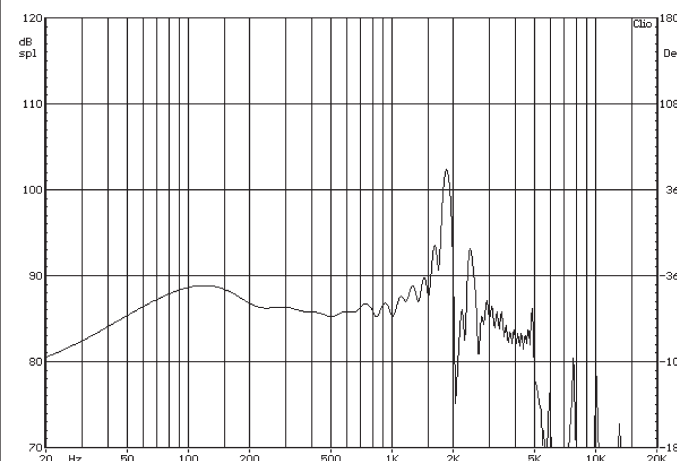
**Parameters**

Impedance ( $\Omega$ )	4
Re ( $\Omega$ )	3.3
Le (mH) @ 1 kHz	1.83
Fs (Hz)	24.2
Qms	4.48
Qes	0.42
Qts	0.39
Mms (g)	380.6
Cms (mm/N)	0.11
Sd (cm <sup>2</sup> )	829.6
Vd (cm <sup>3</sup> )	995.5
BL (Tm)	21.52
VAS (liters)	109.7
XMAX (mm)	12
VC Diameter (mm)	64
SPL (dB@1W/1m)	87.0
RMS Power Handling (w)	800
Usable Frequency Range (Hz)	21 - 600



Note: All dimensions in mm.

**Frequency Response**



Note: Due to testing limitations, response below 200 Hz is not an actual representation.

**Impedance/Phase**

