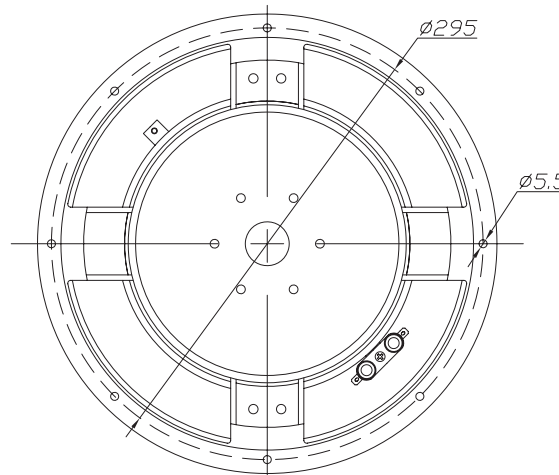
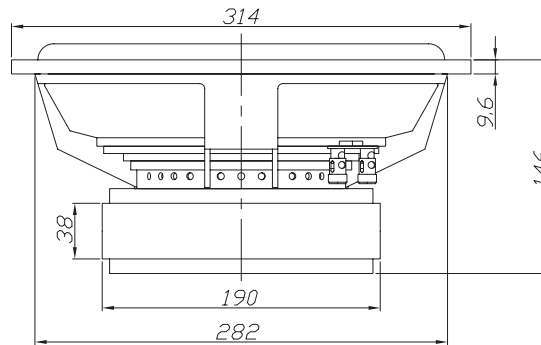


**Features**

- Black anodized aluminum cone
- 2-1/2" 2-layer voice coil
- Triple-shorting-ring motor
- Fully vented construction
- Rigid cast frame
- Rubber surround
- High power handling

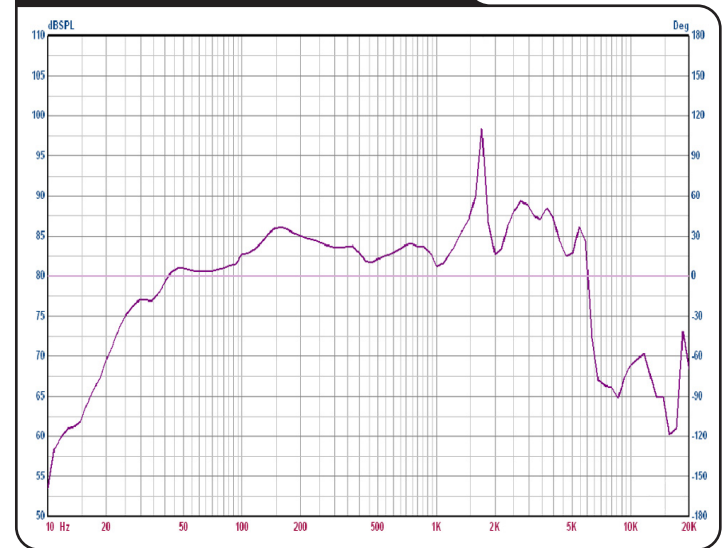
**Parameters**

Impedance ( $\Omega$ )	8
Re ( $\Omega$ )	6.45
Le (mH) @ 1 kHz	1.60
Fs (Hz)	24.9
Qms	2.94
Qes	0.64
Qts	0.53
Mms (g)	195.2
Cms (mm/N)	0.21
Sd (cm <sup>2</sup> )	506.7
Vd (cm <sup>3</sup> )	724.6
BL (Tm)	17.5
VAS (liters)	75.5
XMAX (mm)	14.3
VC Diameter (mm)	65.5
SPL (dB@1W/1m)	84.5
RMS Power Handling (w)	400
Usable Frequency Range (Hz)	25 - 1,500



Note: All dimensions in mm.

**Frequency Response**



**Impedance/Phase**

