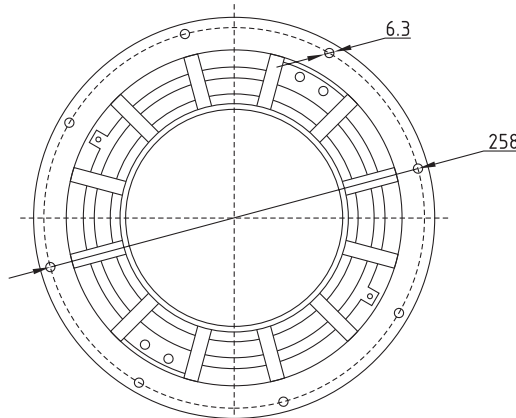
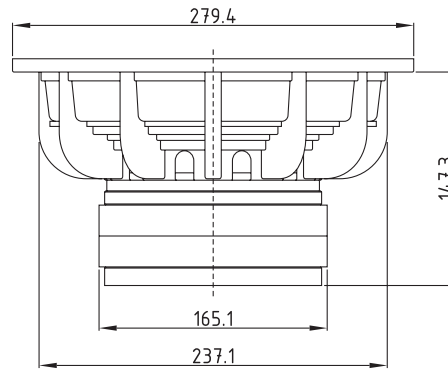


Features

- 10" composite fiber cone
- 2-1/2" voice coil
- Advanced rubber surround
- Ventus Cooling System (VCS™)
- Copper shorting ring
- Rigid cast frame
- Optimized motor system
- Made in the USA

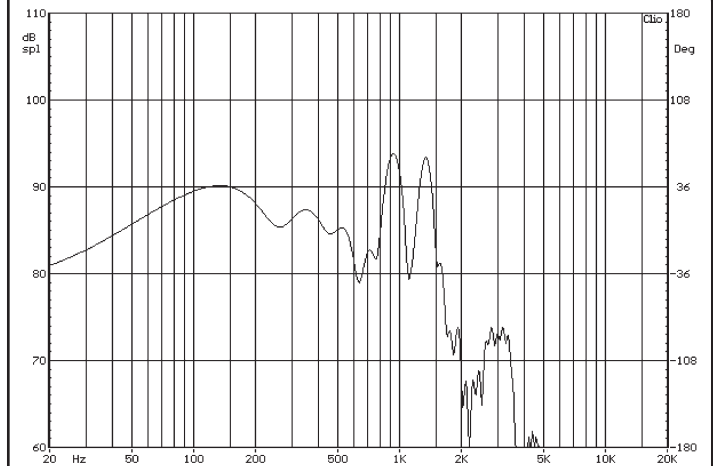
Parameters

Impedance (Ω)	4
Re (Ω)	3.3
Le (mH) @ 1 kHz	3.09
Fs (Hz)	29.6
Qms	7.34
Qes	0.47
Qts	0.44
Mms (g)	156.1
Cms (mm/N)	0.19
Sd (cm ²)	330.1
Vd (cm ³)	633.7
BL (Tm)	14.25
VAS (liters)	28.3
XMAX (mm)	18.7
VC Diameter (mm)	64
SPL (dB@1W/1m)	85.0
RMS Power Handling (w)	400
Usable Frequency Range (Hz)	28 - 400



Note: All dimensions in mm.

Frequency Response



Note: Due to testing limitations, response below 200 Hz is not an actual representation.

Impedance/Phase

