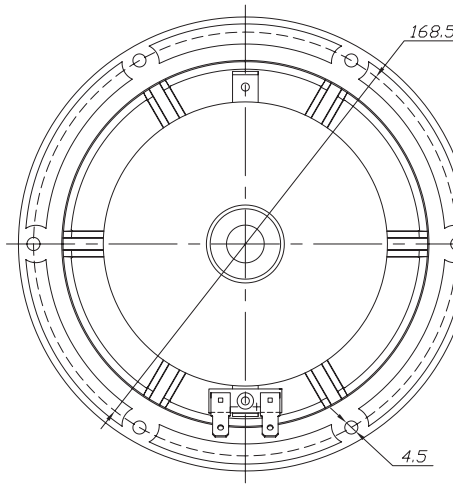
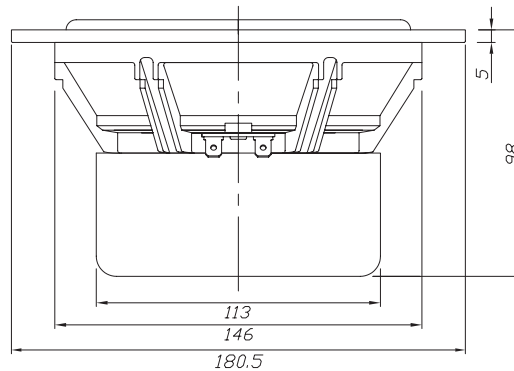


**Features**

- Lightweight black anodized aluminum cone
- Fully shielded magnetic structure
- Attractive 6-hole cast frame
- Advanced low distortion motor design
- Solid aluminum phase plug
- Rubber surround

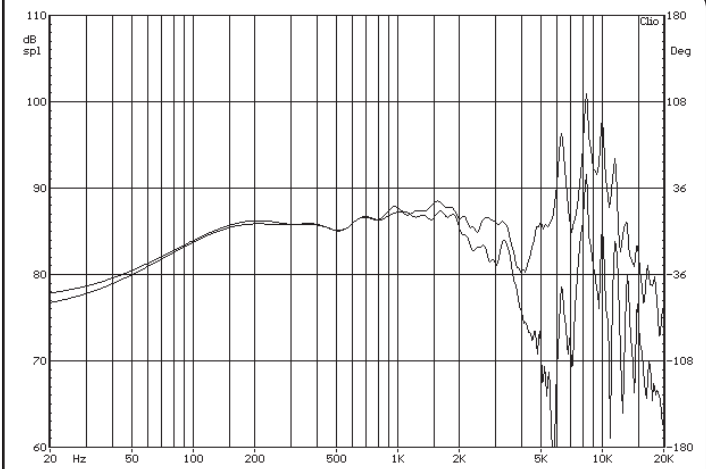
**Parameters**

|                             |            |
|-----------------------------|------------|
| Impedance ( $\Omega$ )      | 8          |
| Re ( $\Omega$ )             | 6.4        |
| Le (mH) @ 1 kHz             | 0.86       |
| Fs (Hz)                     | 43.7       |
| Qms                         | 1.91       |
| Qes                         | 0.58       |
| Qts                         | 0.45       |
| Mms (g)                     | 13.48      |
| Cms (mm/N)                  | 0.98       |
| Sd (cm <sup>2</sup> )       | 124.7      |
| Vd (cm <sup>3</sup> )       | 74.8       |
| BL (Tm)                     | 6.42       |
| VAS (liters)                | 21.5       |
| XMAX (mm)                   | 6          |
| VC Diameter (mm)            | 38         |
| SPL (dB@1W/1m)              | 87.6       |
| RMS Power Handling (w)      | 60         |
| Usable Frequency Range (Hz) | 40 - 2,200 |



Note: All dimensions in mm.

**Frequency Response**



Note: Due to testing limitations, response below 200 Hz is not an actual representation.

**Impedance/Phase**

