

## RS125T-8

## 5" Reference Woofer Truncated Frame

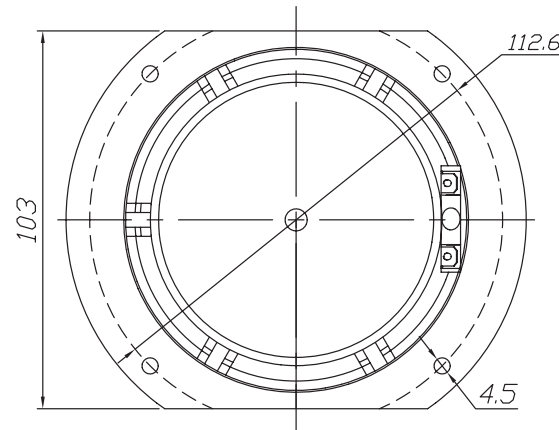
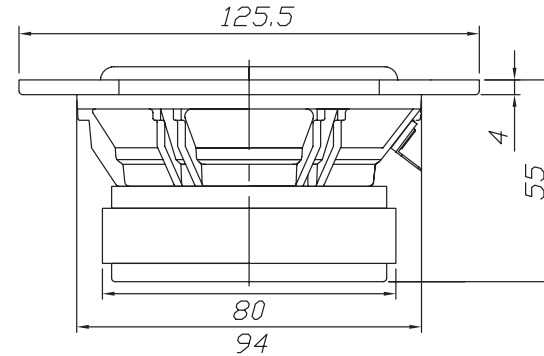


## Features

- Lightweight black anodized aluminum cone
- Truncated cast frame
- Advanced low-distortion motor design
- Solid aluminum phase plug
- Rubber surround
- Perfect for line arrays

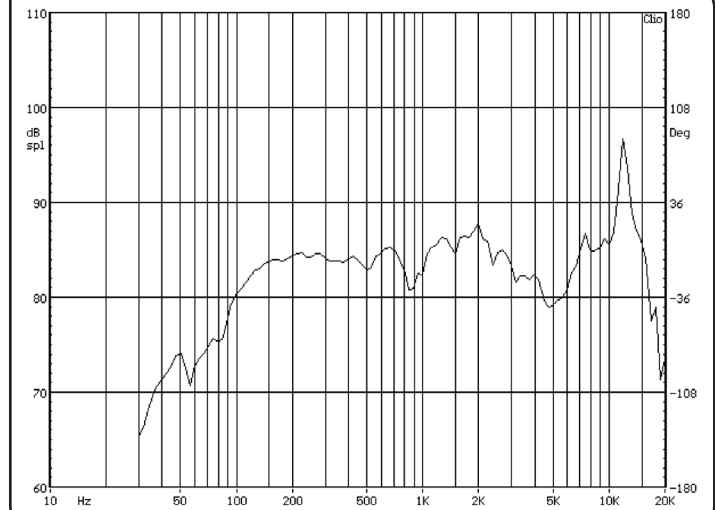
## Parameters

Impedance ( $\Omega$ )	8
Re ( $\Omega$ )	6.4
Le (mH) @ 1 kHz	0.73
Fs (Hz)	74.9
Qms	2.98
Qes	0.56
Qts	0.47
Mms (g)	4.76
Cms (mm/N)	0.95
Sd (cm <sup>2</sup> )	54.1
Vd (cm <sup>3</sup> )	21.6
BL (Tm)	5.04
VAS (liters)	3.9
XMAX (mm)	2.8
VC Diameter (mm)	25.9
SPL (dB@1W/1m)	87
RMS Power Handling (w)	30
Usable Frequency Range (Hz)	70 - 15,000



Note: All dimensions in mm.

## Frequency Response



## Impedance/Phase

