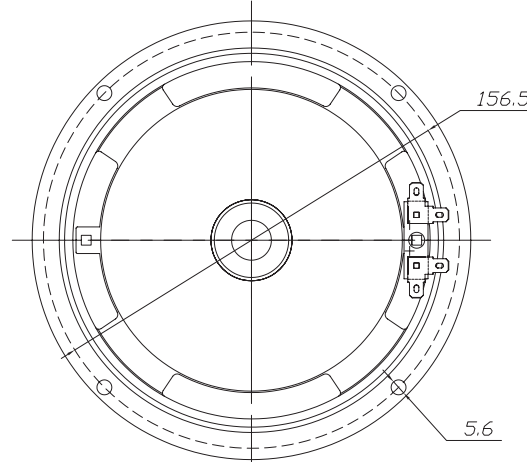
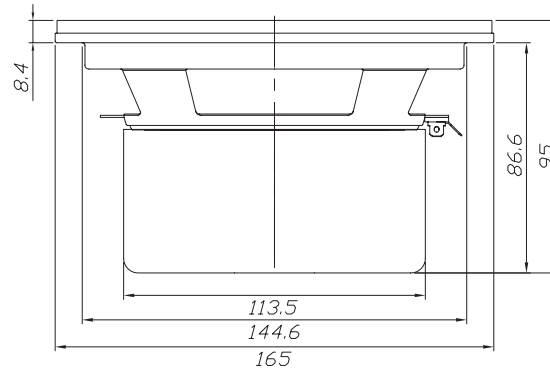


Features

- 6-1/2" polymer laminate non-pressed paper cone
- Rubber surround
- Vented pole piece
- Extended bump plate
- High temperature aluminum voice coil
- Fully shielded to allow A/V use

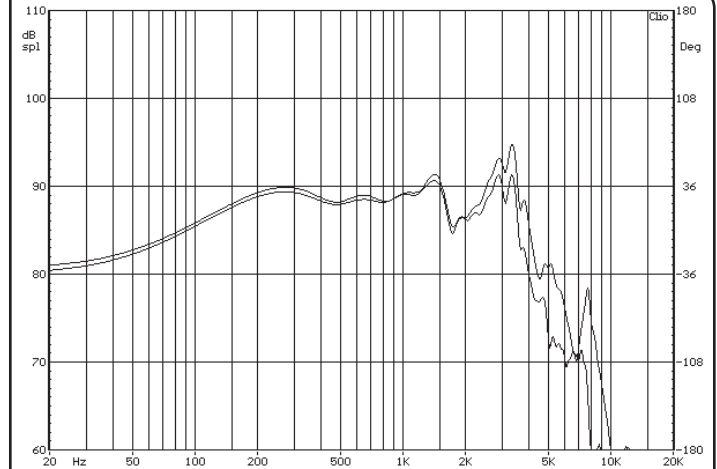
Parameters

Impedance (Ω)	4
Re (Ω)	3.3
Le (mH) @ 1 kHz	0.93
Fs (Hz)	37.7
Qms	3.45
Qes	0.40
Qts	0.36
Mms (g)	21.51
Cms (mm/N)	0.83
Sd (cm ²)	136.8
Vd (cm ³)	46.5
BL (Tm)	6.55
VAS (liters)	21.8
XMAX (mm)	3.4
VC Diameter (mm)	35
SPL (dB@1W/1m)	86.0
RMS Power Handling (w)	50
Usable Frequency Range (Hz)	33 - 4,000



Note: All dimensions in mm.

Frequency Response



Note: Due to testing limitations, response below 200 Hz is not an actual representation.

Impedance/Phase

