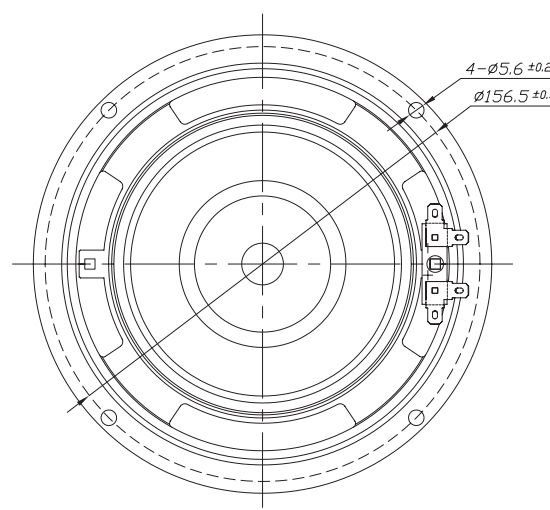
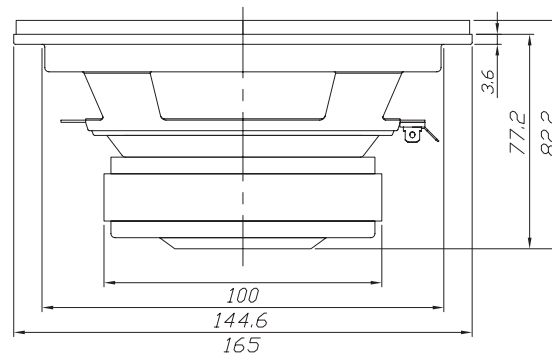


**DC160-8****6-1/2" Classic Woofer****DC160-8****6-1/2" Classic Woofer****Features**

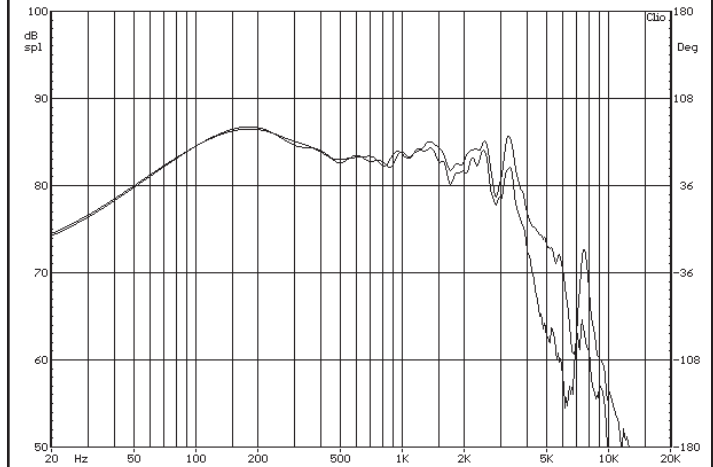
- 6-1/2" polymer laminate non-pressed paper cone
- Rubber surround
- Vented pole piece
- Extended bump plate
- High temperature aluminum voice coil

**Parameters**

Impedance ( $\Omega$ )	8
Re ( $\Omega$ )	6.7
Le (mH) @ 1 kHz	2.34
Fs (Hz)	34.3
Qms	3.47
Qes	0.36
Qts	0.33
Mms (g)	22.42
Cms (mm/N)	0.96
Sd (cm <sup>2</sup> )	134.8
Vd (cm <sup>3</sup> )	42.5
BL (Tm)	9.47
VAS (liters)	24.5
XMAX (mm)	3.15
VC Diameter (mm)	35
SPL (dB@1W/1m)	88.0
RMS Power Handling (w)	50
Usable Frequency Range (Hz)	30 - 4,000



Note: All dimensions in mm.

**Frequency Response**

Note: Due to testing limitations, response below 200 Hz is not an actual representation.

**Impedance/Phase**