

PK165-8

6" Professional Kevlar/Paper Cone Midrange

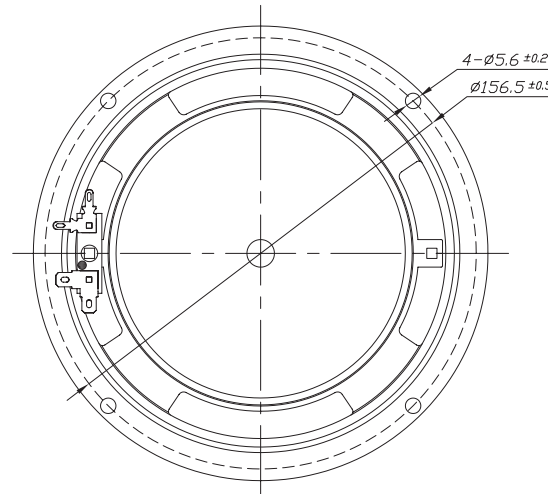
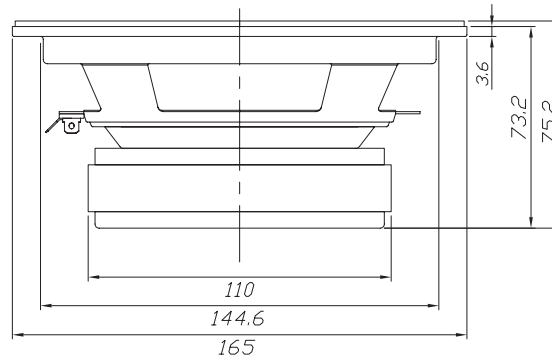


Features

- 6" paper cone
- 1-1/2" voice coil
- Kevlar impregnated paper cone
- Vented pole piece
- High power motor structure
- High sensitivity design
- Extended frequency response

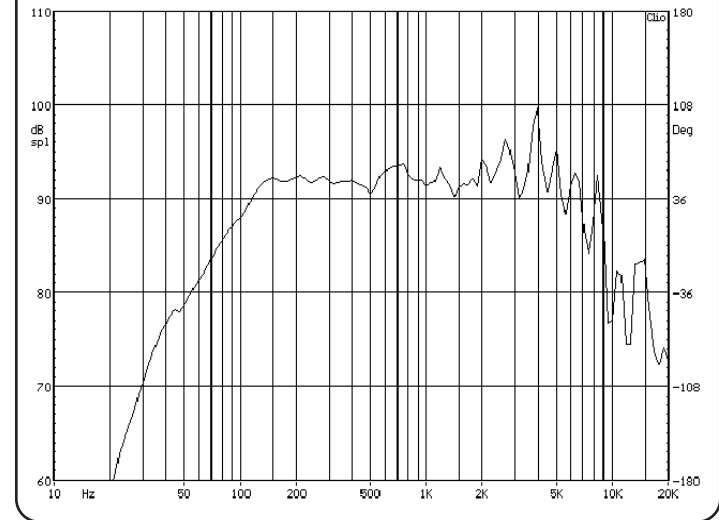
Parameters

Impedance (Ω)	8
Re (Ω)	7.0
Le (mH) @ 1 kHz	1.00
Fs (Hz)	95.0
Qms	8.82
Qes	0.64
Qts	0.59
Mms (g)	8.1
Cms (mm/N)	0.35
Sd (cm ²)	113.1
Vd (cm ³)	17.0
BL (Tm)	7.25
VAS	8.7
XMAX (mm)	1.5
VC Diameter (mm)	38
SPL (dB@1W/1m)	92.7
RMS Power Handling (w)	100
Usable Frequency Range (Hz)	95 - 9,000



Note: All dimensions in mm.

Frequency Response



Impedance/Phase

