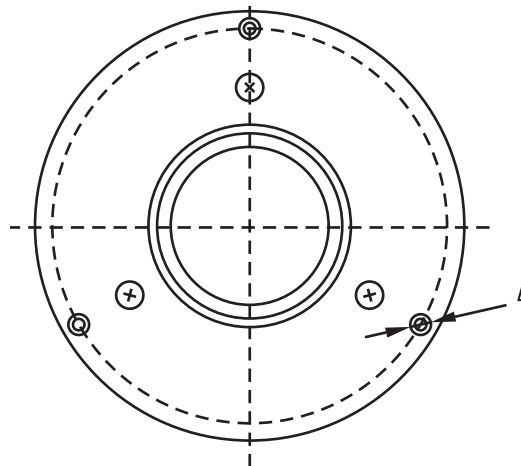
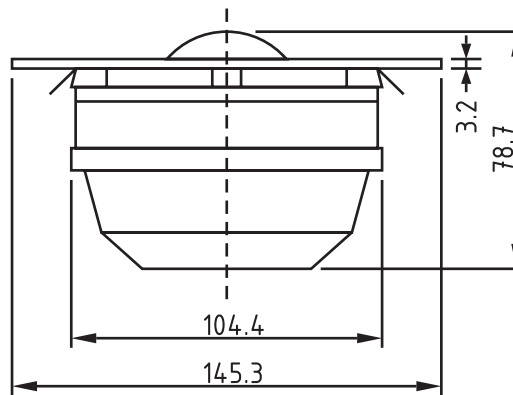


Features

- 2" doped fabric cone
- Sealed/damped rear chamber provides good low-end extension
- High power handling
- Excellent off axis response

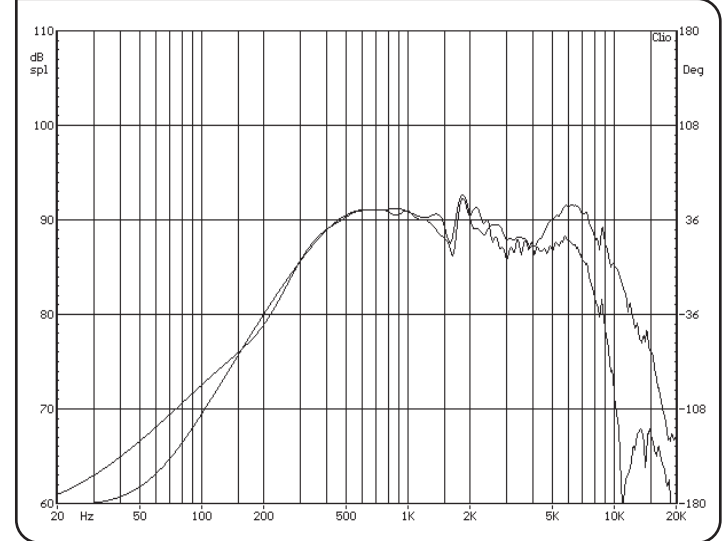
Parameters

Impedance (Ω)	8
Re (Ω)	4.5
Le (mH) @ 1 kHz	0.41
Fs (Hz)	383.6
Qms	3.11
Qes	1.07
Qts	0.80
Mms (g)	
Cms (mm/N)	
Sd (cm ²)	20.4
Vd (cm ³)	
BL (Tm)	
VAS (liters)	
XMAX (mm)	
VC Diameter (mm)	51
SPL (dB@1W/1m)	89.0
RMS Power Handling (w)	80
Usable Frequency Range (Hz)	500 - 6,000



Note: All dimensions in mm.

Frequency Response



Impedance/Phase

