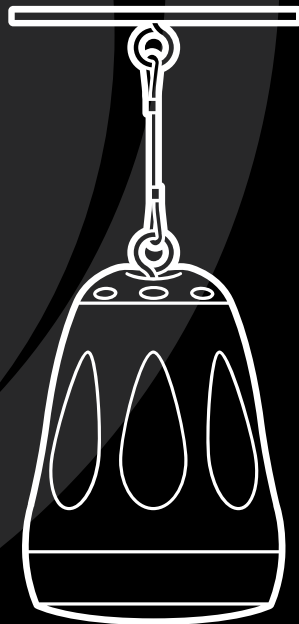




**4" IP66 INDOOR/  
OUTDOOR PENDANT  
SPEAKER PAIR 70V/100V  
WITH 8 OHM BYPASS  
BLACK**

Model: WP4BT User Manual



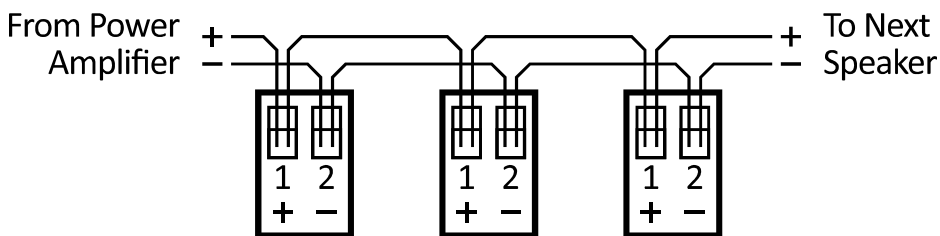
**Congratulations** on the purchase of your Dayton Audio® WP4BT speaker. This rugged, all-purpose speaker is designed to deliver reliable, high-quality audio in commercial and residential applications, while withstanding outdoor environments. The WP4BT features an IP66 weather-resistant ABS construction, 2-way coaxial speaker design.

- 4" woofer with coaxial 7/8" tweeter
- Versatile mounting brackets for pendant mount, wall mount, or landscape applications.
- Integral 70V transformer with selectable taps and 8 ohm bypass
- Suitable for indoor or outdoor installation

**Please read these instructions completely before you begin your installation.**

## 1) Speaker Connection

Remove about 8" of the cable jacket to expose the inner conductors. Strip 1/4" of insulation from each conductor and connect to the speaker terminals. When connecting the wires to the speakers, be sure to observe proper polarity for the best sound. Most CL2 rated speaker cable will have red and black colored wires inside the jacket. Connect the red wire to the (+) terminal and the black wire to the (-) terminal. The red (+) and black (-) speaker wires should correspond to the same terminals on the amplifier.



**NOTE:** If this speaker will be used with a 70V/100V distributed audio system, do not set the 70V/100V tap to the 8 ohm setting. Doing so may damage your speaker when playing. To use this speaker with a conventional (non-70V/100V) audio system, change tap to the 8 ohm setting. If you are unsure what type of audio system you have, consult a professional installer before continuing.

### Step 1: Remove the speaker end cap

Using a screwdriver or other flat-blade tool, turn the tap selector knob to the desired setting. Selecting the 8 ohm setting will remove the transformer from the signal path and allow a conventional amplifier to drive the speaker. If using a 70V/100V system choose the appropriate output setting for the application.

### Step 2: Reinstall speaker end cap

Once you have selected the correct setting and mounting bracket you can feed the speaker wire through the end cap and reinstall.

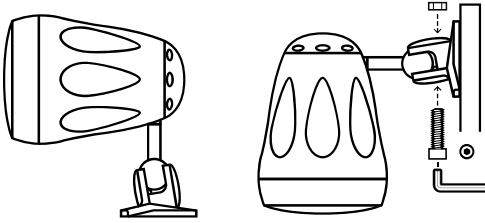
## 2) Choose Speaker Location

Simply place them 5-8 feet apart wherever you desire music for the best possible performance. If you will be installing your speakers outdoors, select locations facing your listening area that are protected from rain, snow, and out of direct sunlight for extended product life.

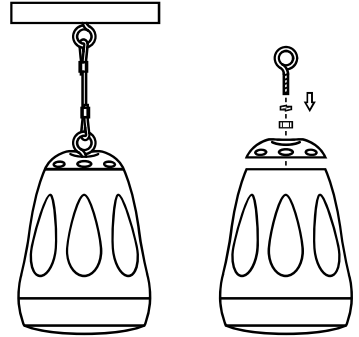
**CAUTION:** Be certain that there are no electrical wires, water pipes, or heating ducts in the planned installation area before you begin drilling. If there is an electrical outlet nearby, turn off the circuit breaker to avoid possible injury.

**NOTE:** Your Dayton Audio WP4BT speaker is compact, but substantial in weight. They should be mounted into solid structure, not drywall. If drywall mounting is required, use high-strength anchors designed for heavy loads such as light fixtures. To avoid personal injury, please make sure the location you choose for mounting your speakers can safely support their weight.

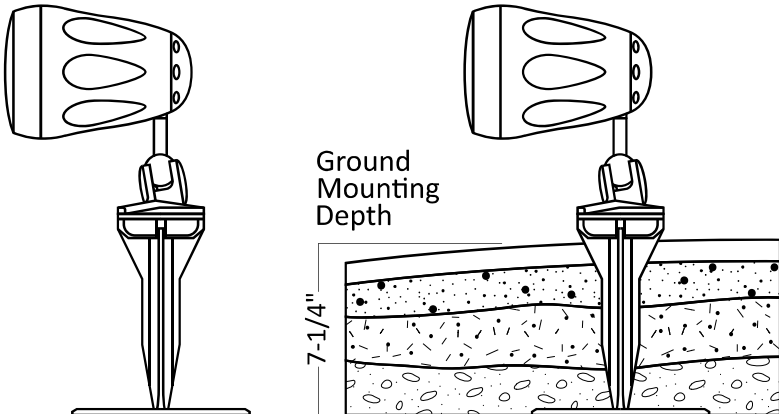
(A) Wall Mount



(B) Pendant Mount



(C) Landscape



### 3) Troubleshooting

*Should your speakers not work properly, check the following:*

#### **No sound from speakers or quiet/strange sound:**

- Make certain you observed proper polarity for both speaker inputs. Check the connections at the back of the receiver, and then at the speaker.
- Verify that the amplifier is powered on and the volume is turned up.
- Check that the correct transformer tap is selected for your application. If you are using a stereo amplifier or a receiver, use the 8 ohm tap.
- Mute feature or protection mode is activated. Check for short circuits in speaker wiring.

#### **One speaker is playing while the other is not playing or plays quietly:**

- Check the balance control on the receiver. Make sure it is centered.
- Loose connection at either the receiver or the speaker. Double check connections.
- Bad speaker cable. Replace the suspect speaker cable.

#### **Amplifier/Receiver cuts out:**

- This could be caused by a short circuit between the positive and negative leads. Check the connections at the back of the receiver, and then at the speaker; make sure that no strands of wire from one connector are touching the other connector.

### Specifications

Model number:..... WP4BT  
Description:..... Commercial indoor/outdoor speaker  
Woofer:..... 4" mineral-filled polypropylene  
Tweeter:..... 7/8" fabric  
Frequency response:..... 80-20,000 Hz  
Impedance:..... 8 ohms/70V  
70V/100V taps:..... 8 ohms/NC/20W/10W/5W/2.5W  
Power handling (RMS/Peak): ... 20W/40W  
SPL:..... 87 dB / 88 dB @ 8 ohm setting, 2.83V/1m  
Dimensions:..... 5-3/8" height, 6-3/4" diameter  
Color:..... Black  
Weight: ..... 3.6 lbs  
Ingress protection rating: ..... IP66

#### **5-Year Limited Warranty**

See [daytonaudio.com](http://daytonaudio.com) for details



[daytonaudio.com](http://daytonaudio.com)  
tel + 937.743.8248  
[info@daytonaudio.com](mailto:info@daytonaudio.com)

705 Pleasant Valley Dr.  
Springboro, OH 45066  
USA

