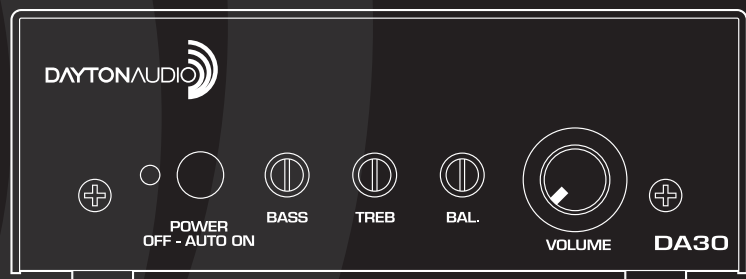




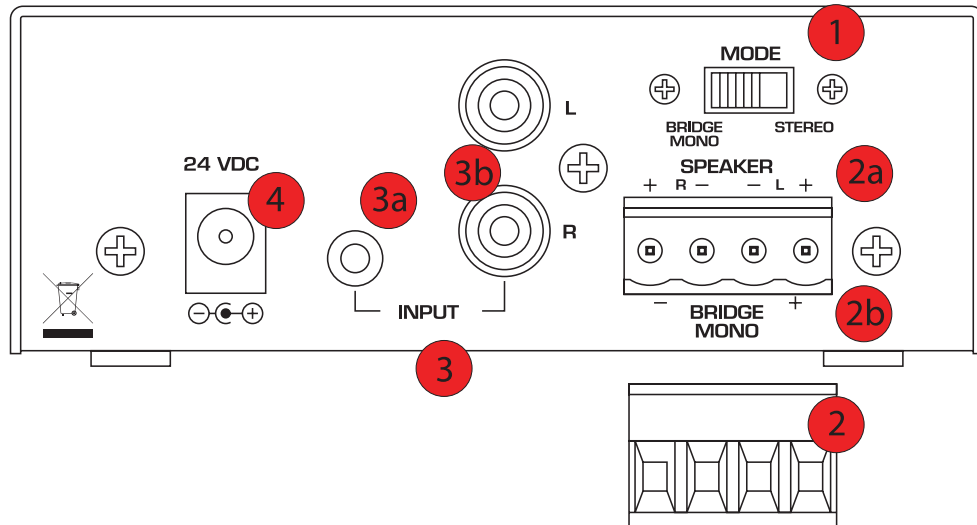
2X15W CLASS D BRIDGEABLE MINI AMPLIFIER

Model: DA30 User Manual



The Dayton Audio® DA30 is the ideal amplifier for commercial audio installations; such as classrooms, where a small, low wattage amplifier is required. This Class D amplifier can sit on a desktop, or can be mounted on a wall or under cabinets using the included mounting brackets. In stereo mode the DA30 delivers 2 X 15 W and in bridged mode 1 X 30 W. Two stereo audio inputs increase versatility; 2-RCA or a single 3.5mm jack. Separate Treble and Bass controls allow the sound to be tailored to the room. The DA30's Auto-On feature means the unit will not sit idle wasting power when not in use.

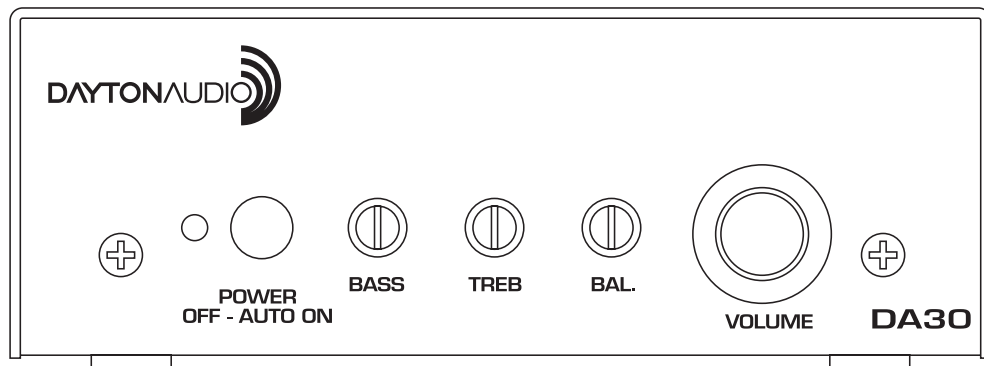
CONNECTION



- (1) Set the MODE switch to Bridge Mono or Stereo
- (2) Connect your Speakers using the detachable “Phoenix” connector
 - (2a) For stereo operation connect the Left and Right speaker wires to the corresponding terminals
 - (2b) For bridge-mono operation connect the positive speaker wire to the L+ and the negative speaker wire to the R+ terminals
- (3) Connect a source device to the INPUT terminals; 3.5 or RCA*
 - (3a) 3.5mm male plug to the 3.5mm jack
 - (3b) 2-RCA plugs to the two RCA jacks
- (4) Connect the power supply to the 12 VDC input

*NOTE: When connected, the 3.5mm input will override the RCA inputs.

OPERATION



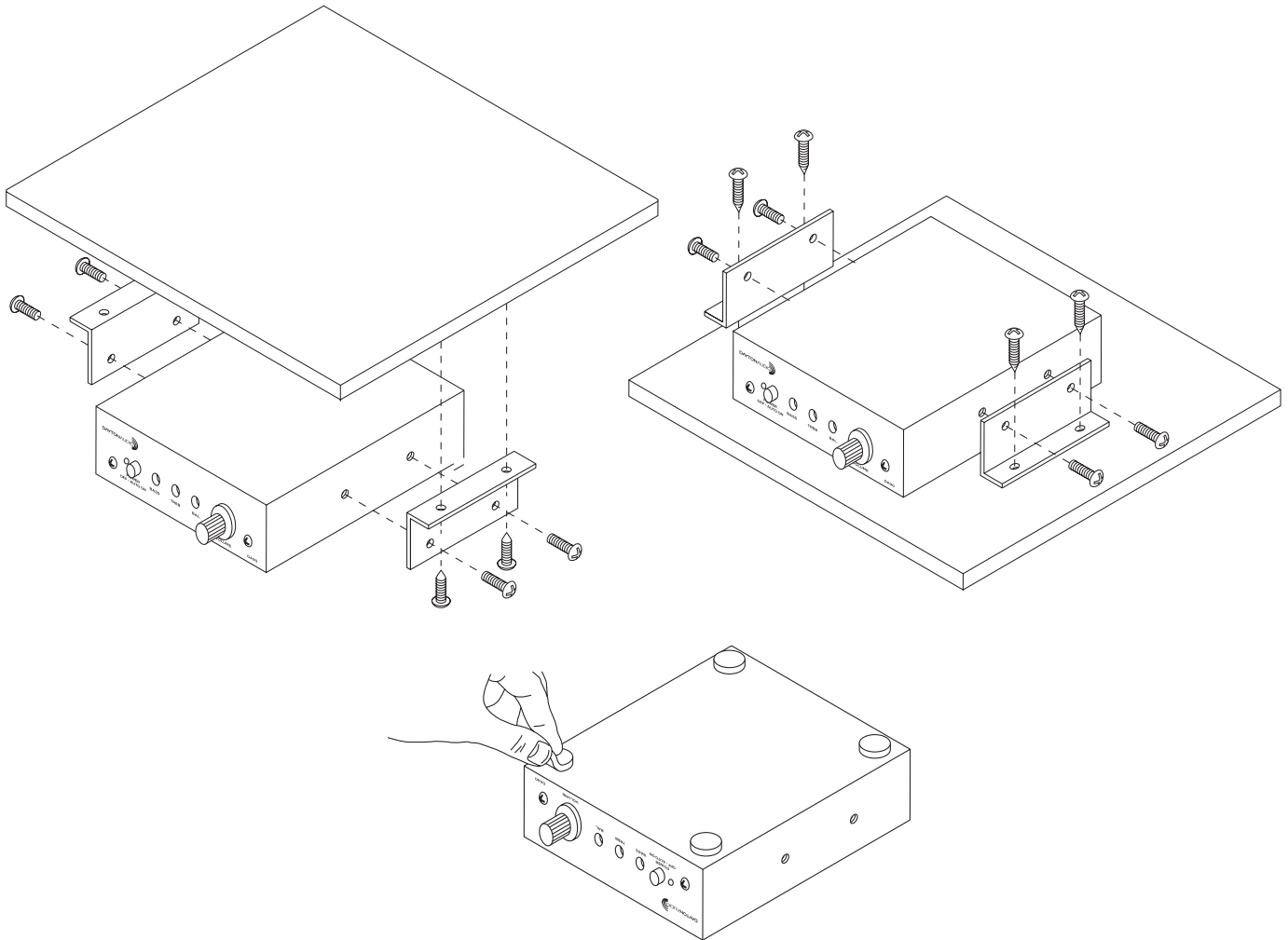
Once input and output connections are made it is time to use the DA30.

- Press the POWER button to turn on the amplifier. A green LED indicator shows the amplifier is ready to use, a red LED indicator shows the amplifier is in the “Auto-On” state to conserve power.
- Turn on the source device and set the source output level. A green LED indicator shows the amplifier is ready to use, a red LED indicator shows the amplifier is in the “Auto-On” state to conserve power.
- Adjust the VOLUME on the DA30 using the rotary volume control; turning clock-wise will increase the volume level.
- Adjust the BASS and TREBLE to set the audio to a more realistic tone using a small flat-blade screwdriver.
- Adjust the BALANCE so the sound is evenly distributed through the room using a small flat-blade screwdriver.

After 10 minutes of inactivity the DA30 will go into the “Auto-On” state.

MOUNTING

The DA30 can be permanently mounted to a desk, shelf, or wall using the provided brackets. Use the 1/4" long machine screws to connect the brackets to the case. Use the 9/16" long wood screws to attach the amplifier and brackets to a wood desk or shelf. If mounting to a desktop, first remove the feet from the bottom of the amplifier and discard.



SPECIFICATIONS

- Power: 2 X 15 W (RL = 4 Ohms), 1 X 30 W (RL = 8 Ohms)
- Efficiency: 92%
- Total Harmonic Distortion: 0.015% typical
- Class D Topology
- Input Impedance: 100K Ohms
- Auto-On Sensitivity: <0.8V
- Stand-by Current: 0.6mA
- Operating Current, No-Load: 40mA typical, 80mA max
- Power Supply: 24 VDC, 2000mA
- Dimensions: 1-5/8" (H) x 4-7/16" (W) x 5-1/2" (D)

TROUBLESHOOTING

If the DA30 does not turn on with a source connected and playing try these troubleshooting tips:

- Does the source device have a 3.5mm output (such as a PC or laptop)? Connect headphones to the headphone jack and check for an output signal.
- Does the source device have RCA line output (such as a DVD player)? Connect a known working amplifier and speakers to the line outputs to check for a signal. Refer to the DVD player manual to switch output to L&R stereo line level if necessary.
- Check the power switch, when depressed the DA30 is in "auto-on" mode and the power indicator should be lit.
- Check the power supply; verify it is plugged into a working receptacle and is firmly plugged into the 24 VDC power jack.

WARRANTY COVERAGE

Dayton Audio products are warranted to be free of all defects in material and workmanship for 5 YEARS from the date of purchase from an authorized Dayton Audio dealer. This warranty and all rights provided are limited to the original owner and are non-transferable. Dayton Audio's responsibility is limited to replacement or repair as set forth in this warranty statement.

Should a product require warranty service during this period, Dayton Audio will repair or replace without charge, any part or product proving defective in material or workmanship. All warranty repairs and service must be performed by an authorized Dayton Audio technician or service facility. The use of non-authorized repair services renders this warranty null and void, and any charges relating to non-authorized repair are the responsibility of the product owner.

All expenses related to replacing or repairing a defective part or product under this warranty shall be assumed by Dayton Audio. Dayton Audio reserves the right to replace defective product with a new or factory reconditioned unit.

WARRANTY EXCLUSIONS

1. This warranty does not cover product failure or damage resulting from misuse, abuse, neglect, accidents, alterations, standard environmental deterioration, natural disasters, or improper use and/or installation.
2. This warranty does not cover cosmetic damage due to misuse or neglect. This includes paint damage, scratches, cracks or other superficial marks related to improper use.
3. Failures arising from attempted servicing of a non-authorized Dayton Audio repair facility or technician are excluded from this warranty.

LIMITATION OF DAMAGES

In no event shall Dayton Audio be liable for consequential damages for breach of this warranty including installation charges, excessive shipping expenses, property loss or other incidental loss. Some States do not allow the exclusion or limitation of incidental or consequential damages, so the above limitation or exclusion may not apply to the buyer.

HOW TO OBTAIN WARRANTY SERVICE

To obtain services under this warranty, the buyer shall contact Dayton Audio's authorized service provider, Parts Express, at 1-800-338-0531 x 780 to obtain a return authorization number (RA#).

The buyer must carefully pack the warranted product along with a copy of the original purchase receipt, the return authorization number (RA#), and a description to the repair facility listed below. Shipping for warranty service is the responsibility of the buyer.

Parts Express

Attn: Dayton Audio Warranty Repairs RA# (please write your RA# here)
705 Pleasant Valley Drive
Springboro, Ohio 45066

NOTICE TO BUYER

This warranty gives you specific legal rights, and you may also have other rights which vary from state to state.



daytonaudio.com
tel + 937.743.8248
info@daytonaudio.com

705 Pleasant Valley Dr.
Springboro, OH 45066
USA

