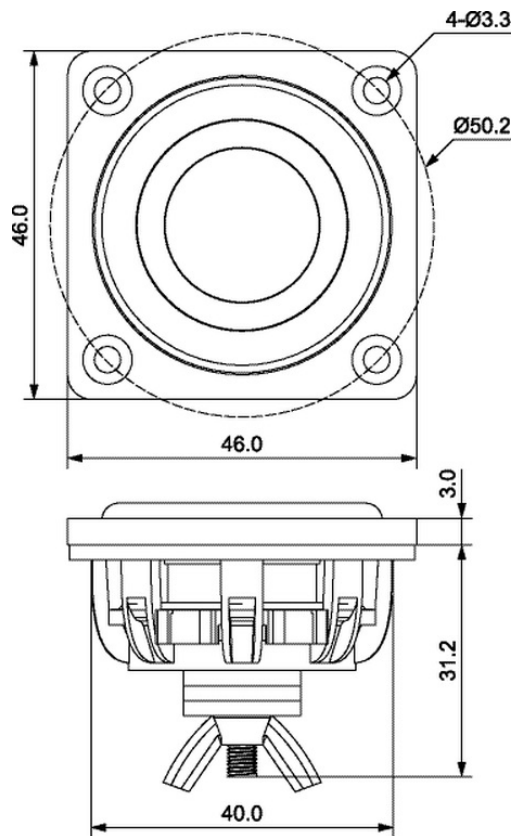




DMA45-PR 1-1/2" DMA Series Passive Radiator



FEATURES

- Perfect match for the Dayton Audio DMA series drivers
- Allows tuning small enclosures lower than using conventional ports
- Rear mounted threaded post allows easy mass adjustment for custom tuning
- DIY friendly, oversized mounting flange makes installation simple

PARAMETERS

Fs	60 Hz
Qms	2.75
Mms	2.8 g
Cms	2.12 mm/N
Sd	8.6 cm ²
Vd	4.3 cm ³
Vas	0.0092 ft ³
Xmax	5 mm
Rms	0.38 kg/s

Note: Parameters above are for the passive only with no additional mass added.