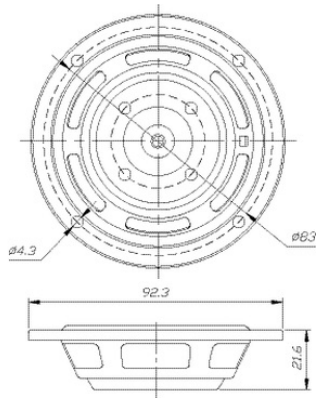




DS90-PR 3" Designer Series Passive Radiator



FEATURES

- Perfect match for Dayton Audio's paper cone Designer Series drivers
- Allows tuning small enclosures lower than using conventional ports
- Rear mounted screw allows easy mass adjustment for custom tuning
- Cosmetic frame edge looks great even when surface mounted

PARAMETERS

Fs	42.4 Hz
Qms	5.9
Mms	5.5g
Cms	2.55 mm/N
Sd	31.2 cm ²
Vd	12.5 cm ³
Vas	3.5 liters
Xmax	4 mm
Rms	0.3 kg/s

Note: Parameters above are for the passive only with no additional mass added.