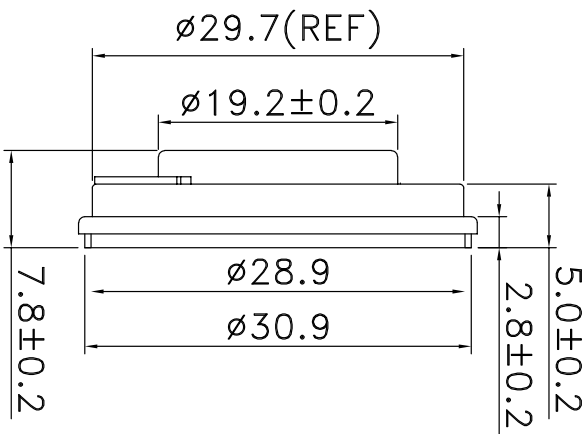
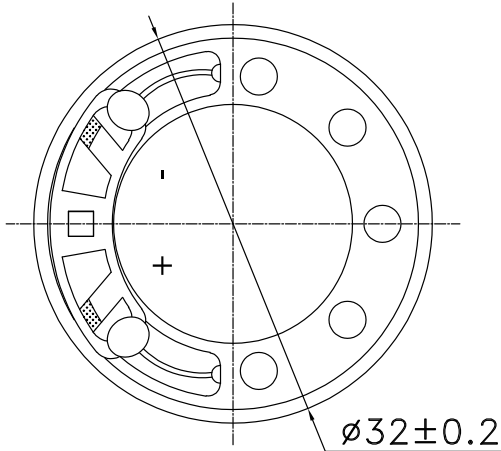




# 1-1/4" Clear Poly Cone Mini Speaker 4 Ohm

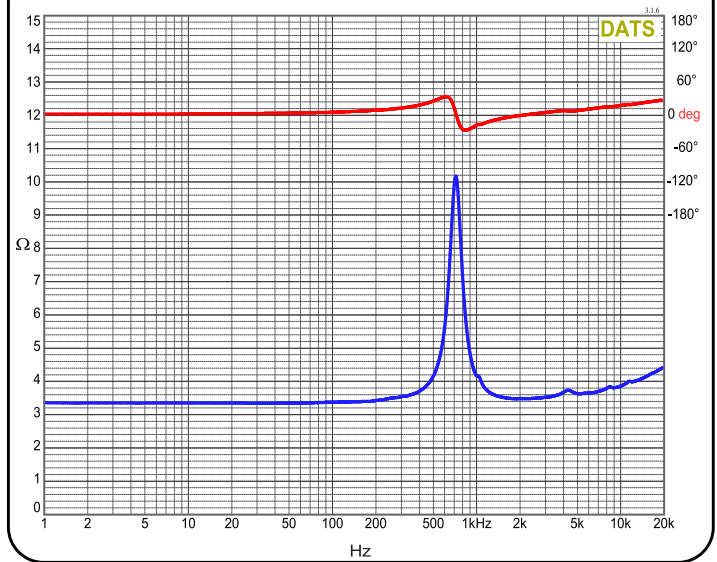
CE32M-4



## PARAMETERS

|                               |                 |
|-------------------------------|-----------------|
| Impedance                     | 4 ohms          |
| Re                            | N/A             |
| Le                            | N/A             |
| Fs                            | 600 Hz          |
| Qms                           | N/A             |
| Qes                           | N/A             |
| Qts                           | N/A             |
| Mms                           | N/A             |
| Cms                           | N/A             |
| Sd                            | N/A             |
| Vd                            | N/A             |
| BL                            | N/A             |
| Vas                           | N/A             |
| Xmax                          | N/A             |
| VC Diameter                   | N/A             |
| SPL                           | N/A             |
| RMS Power Handling (AES 426B) | 3.5 watts       |
| Usable Frequency Range (Hz)   | 600 - 10,000 Hz |

## IMPEDANCE/PHASE



## FEATURES

- High economic value
- High-quality audio solutions without breaking the bank, ideal for budget-conscious projects
- Suitable for commercial use, DIY projects, art exhibits, and more

## FREQUENCY RESPONSE

